

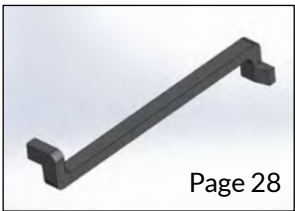
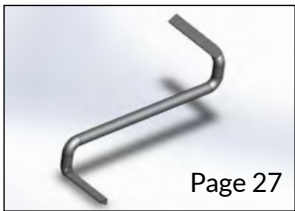
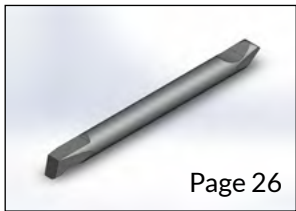
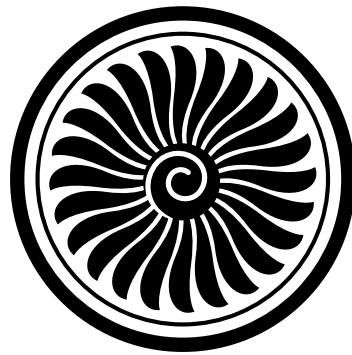
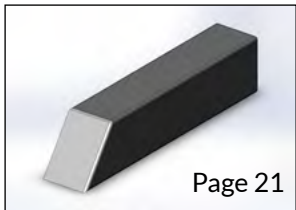
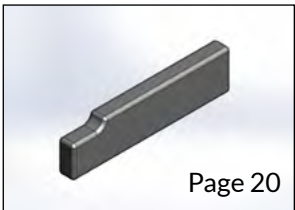
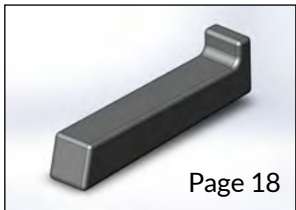
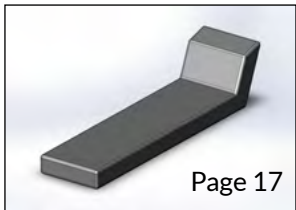
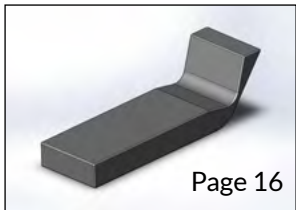
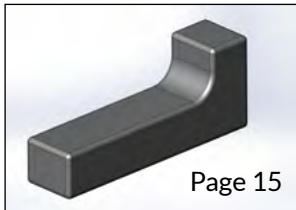
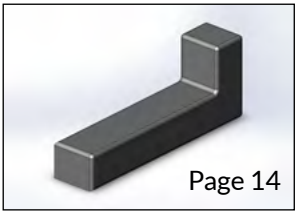
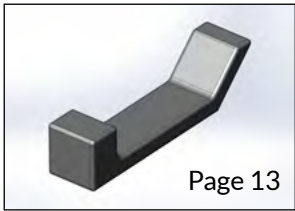
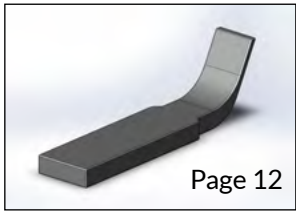
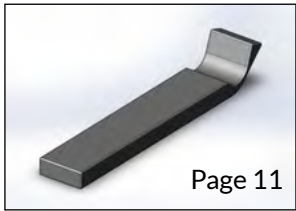
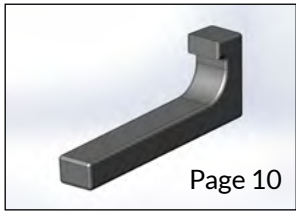
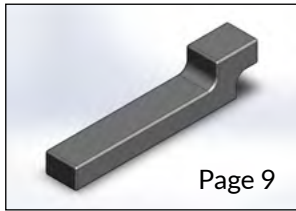
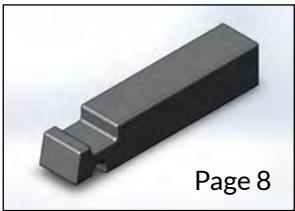
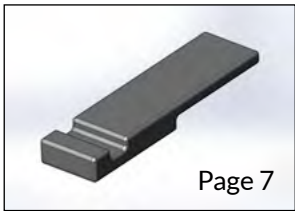
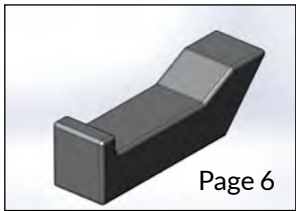
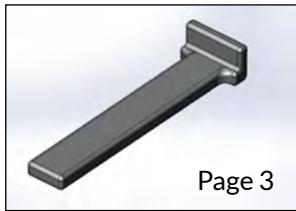
# BIJA Industrie

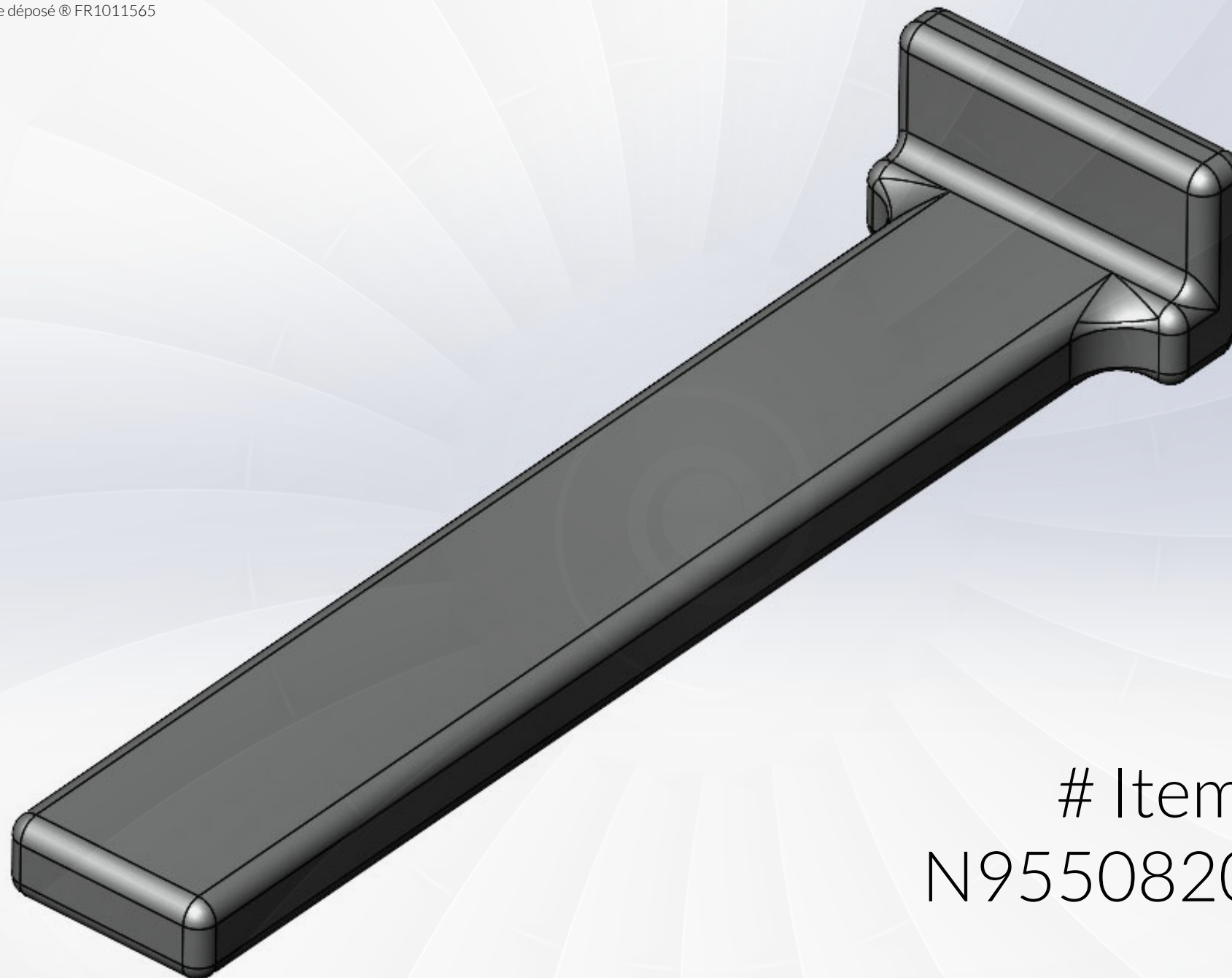
A e r o s p a c e & I n d u s t r y

TAS de RIVETAGE

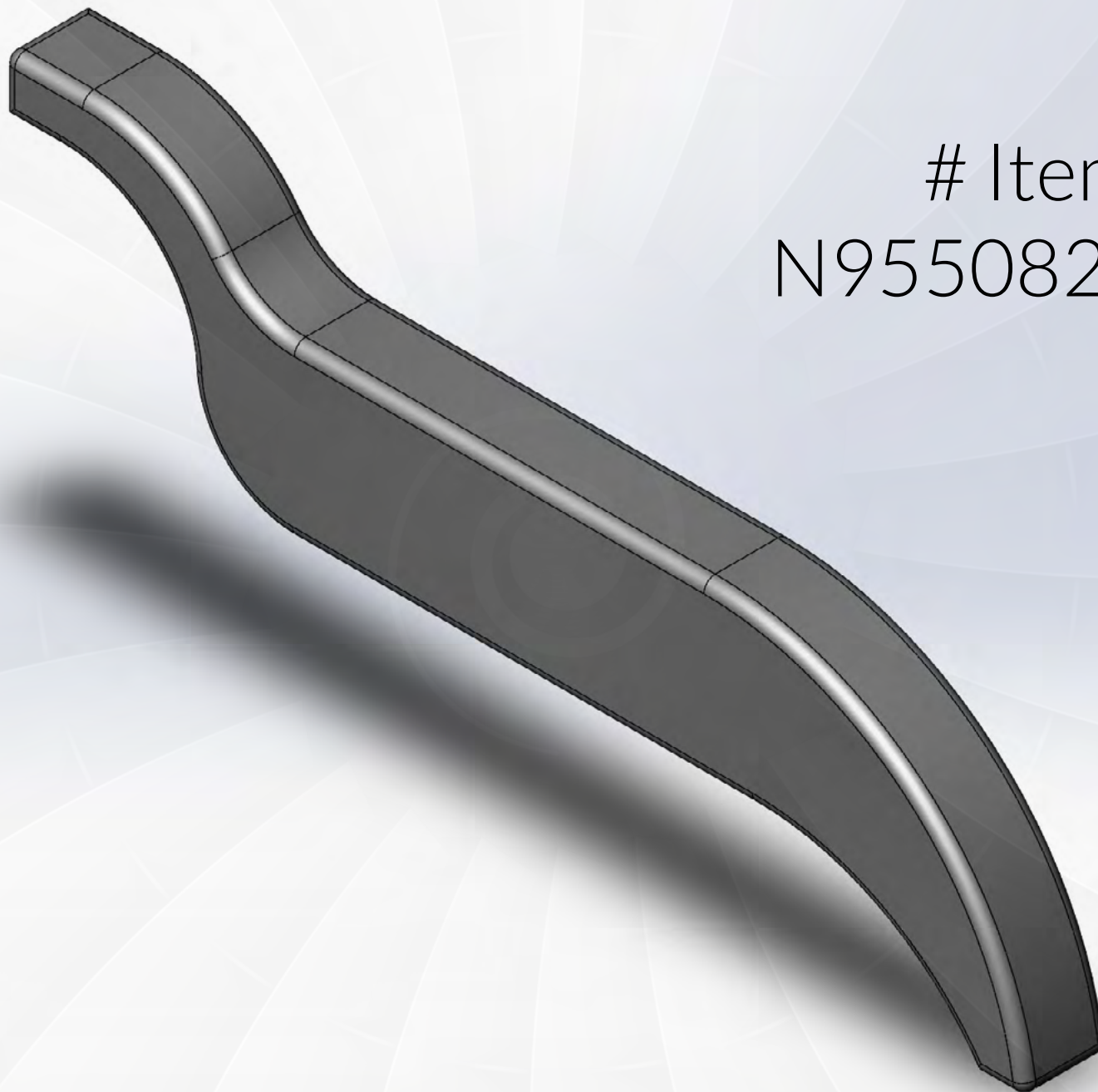
INERMET®

# S O M M A I R E



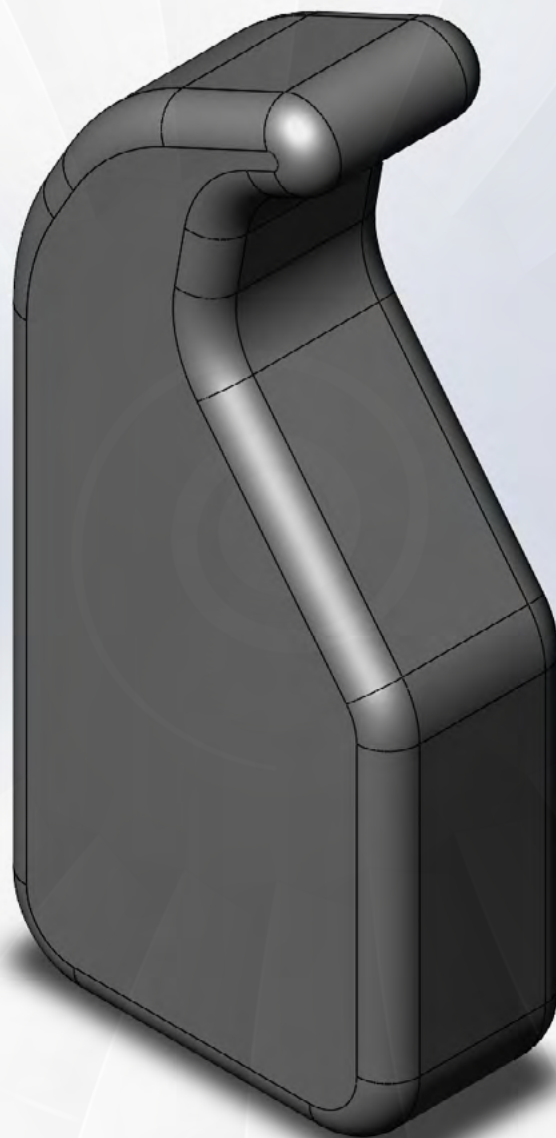


# Item  
N9550820026

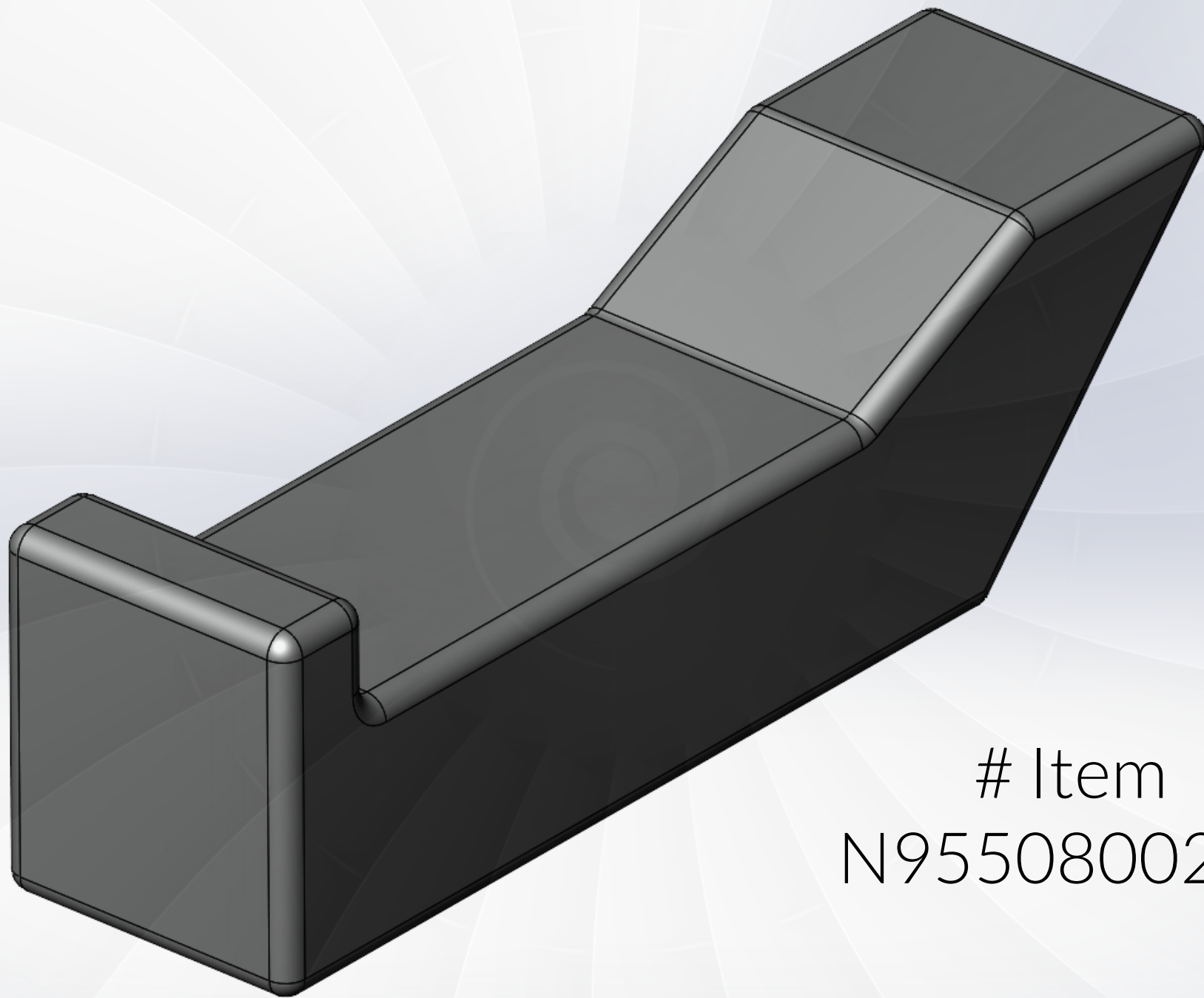


# Item  
N9550820021

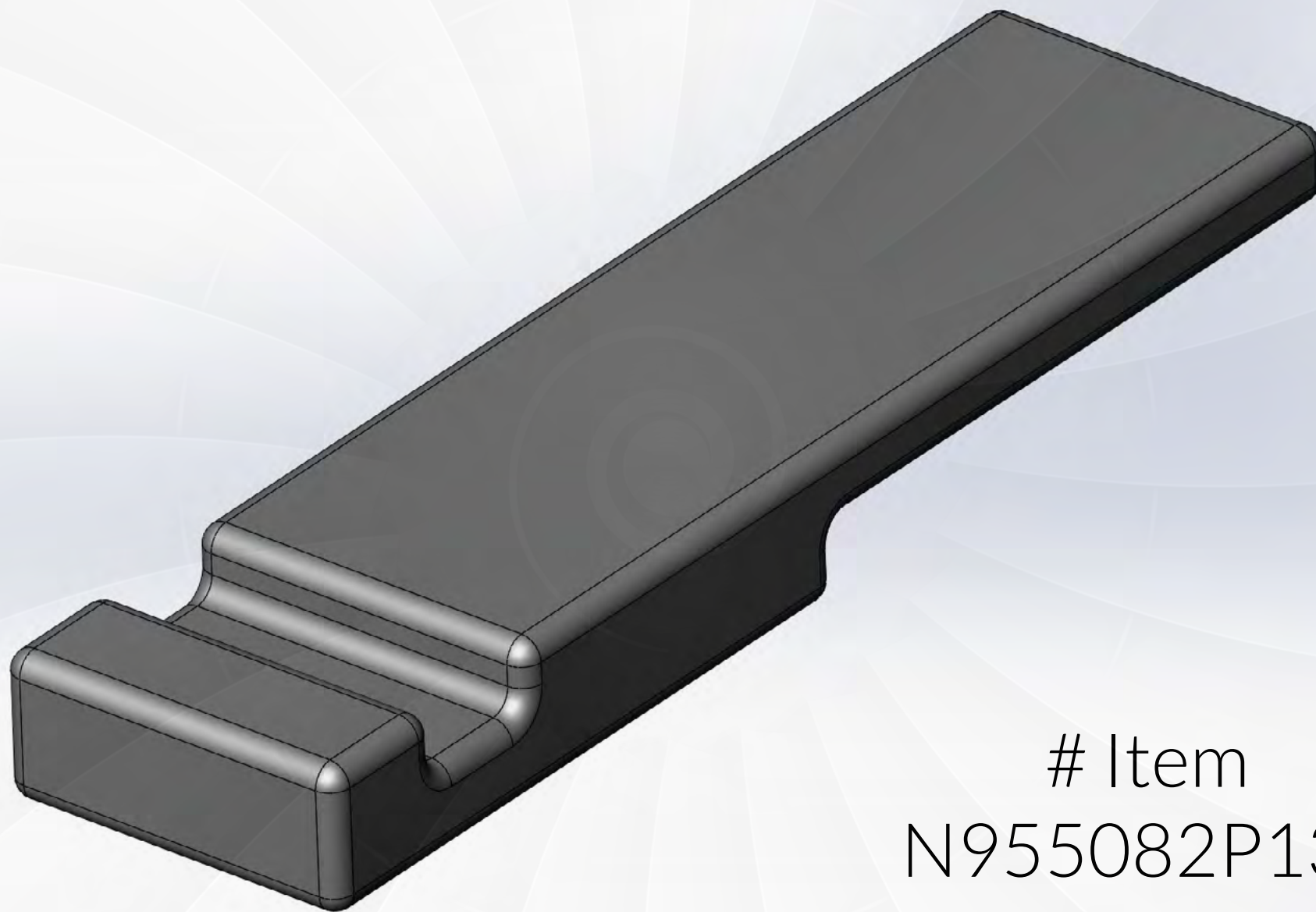




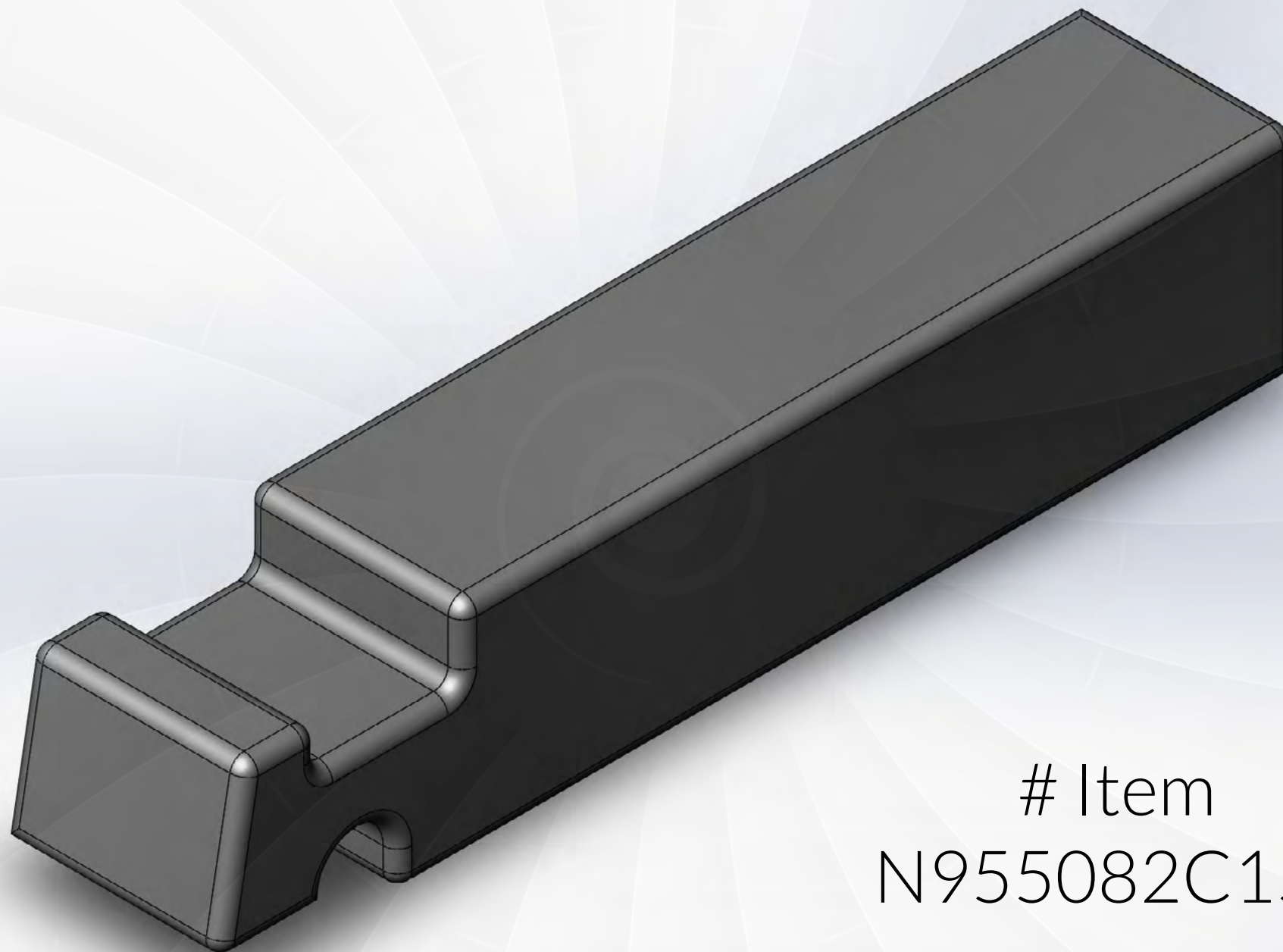
# Item  
N955082CC55



# Item  
N9550800201

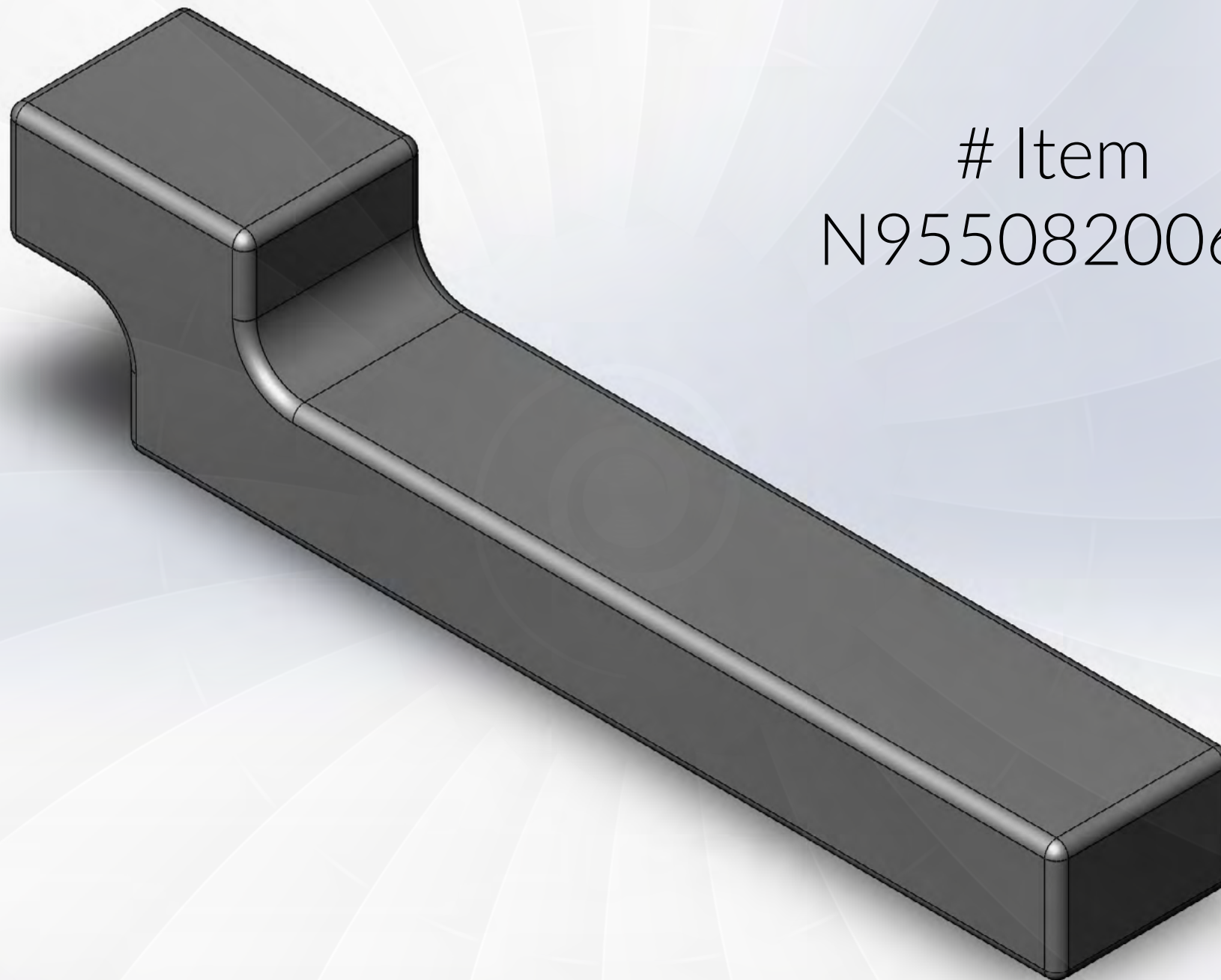


# Item  
N955082P130

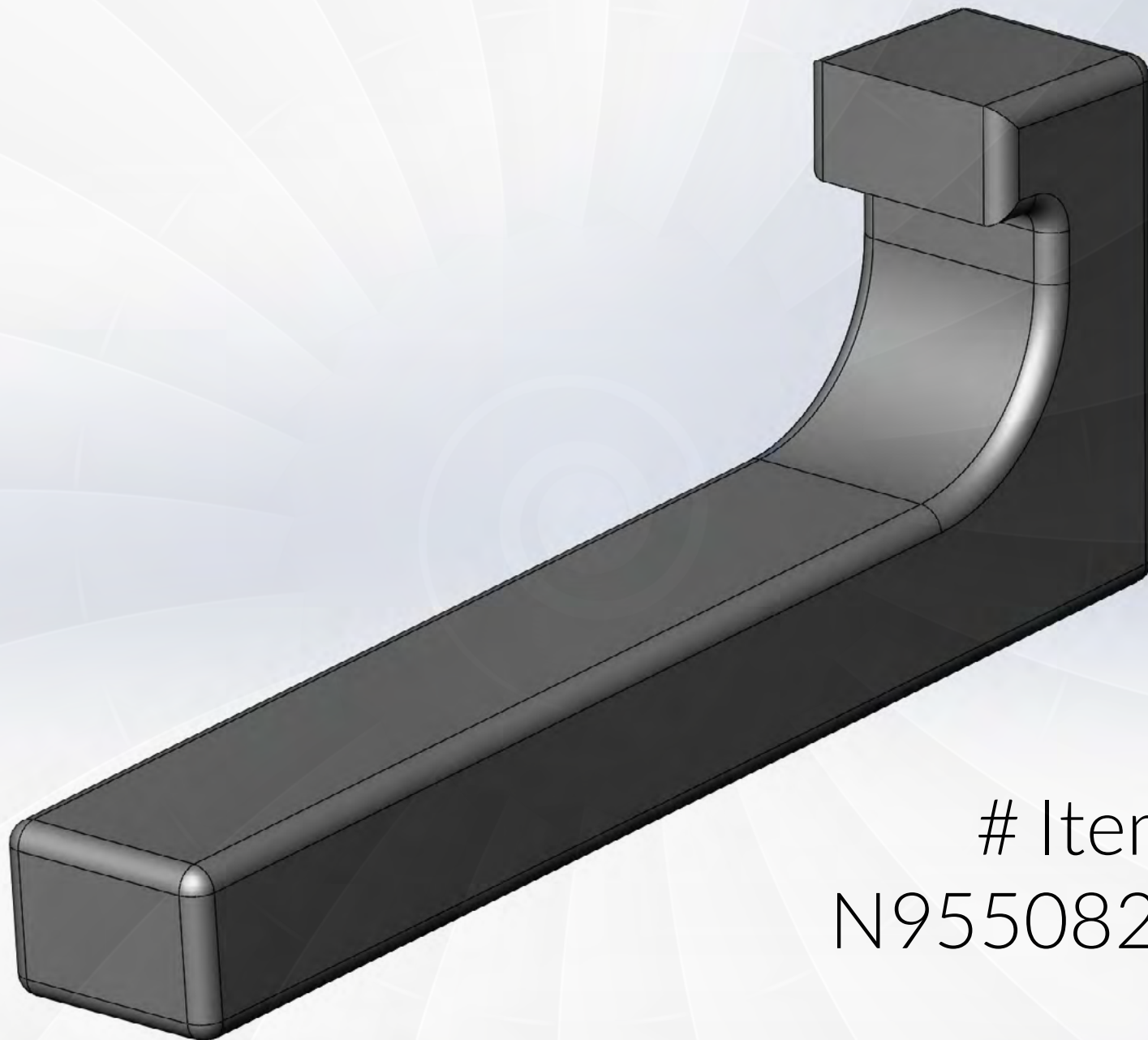


# Item  
N955082C150

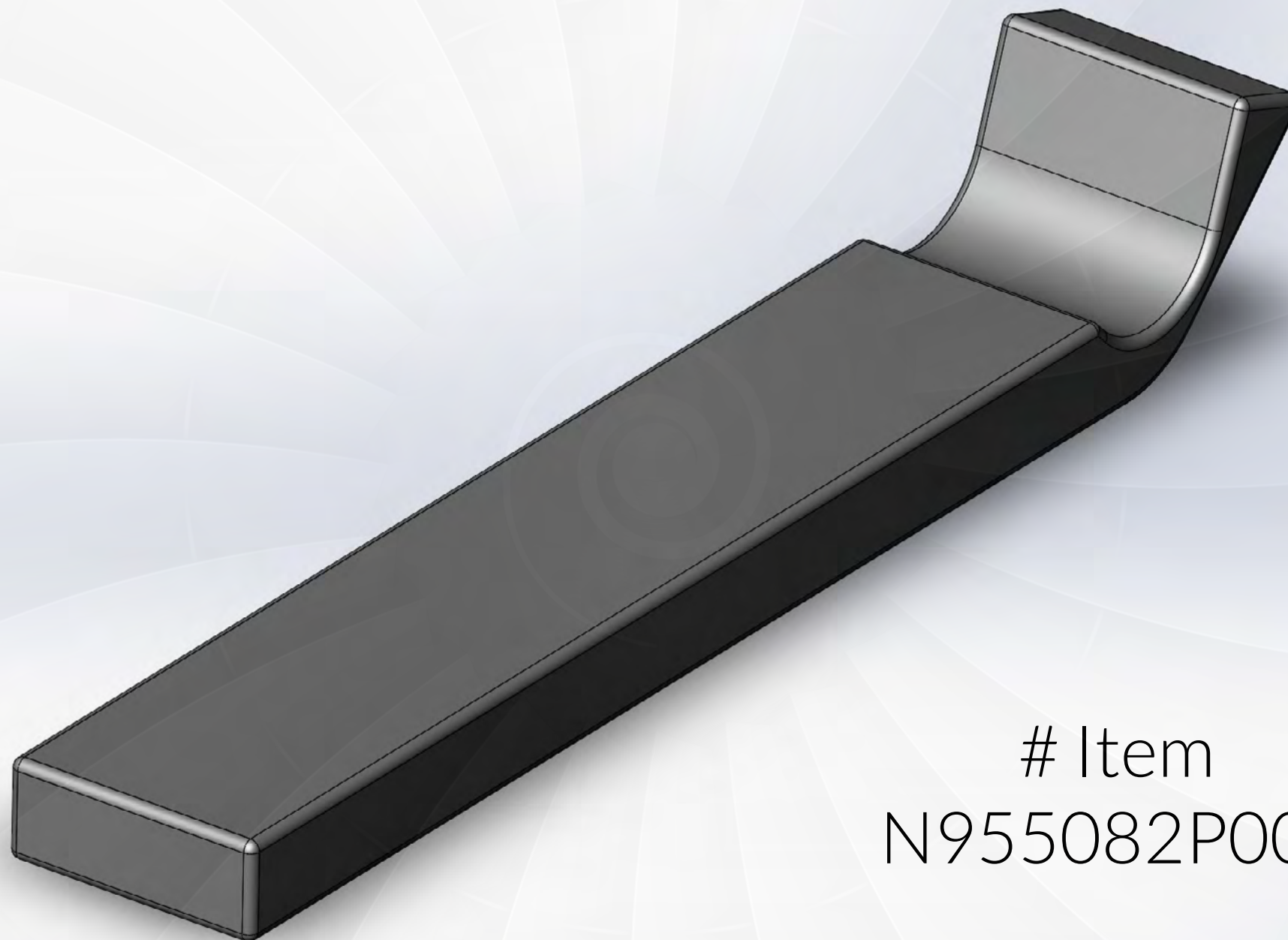




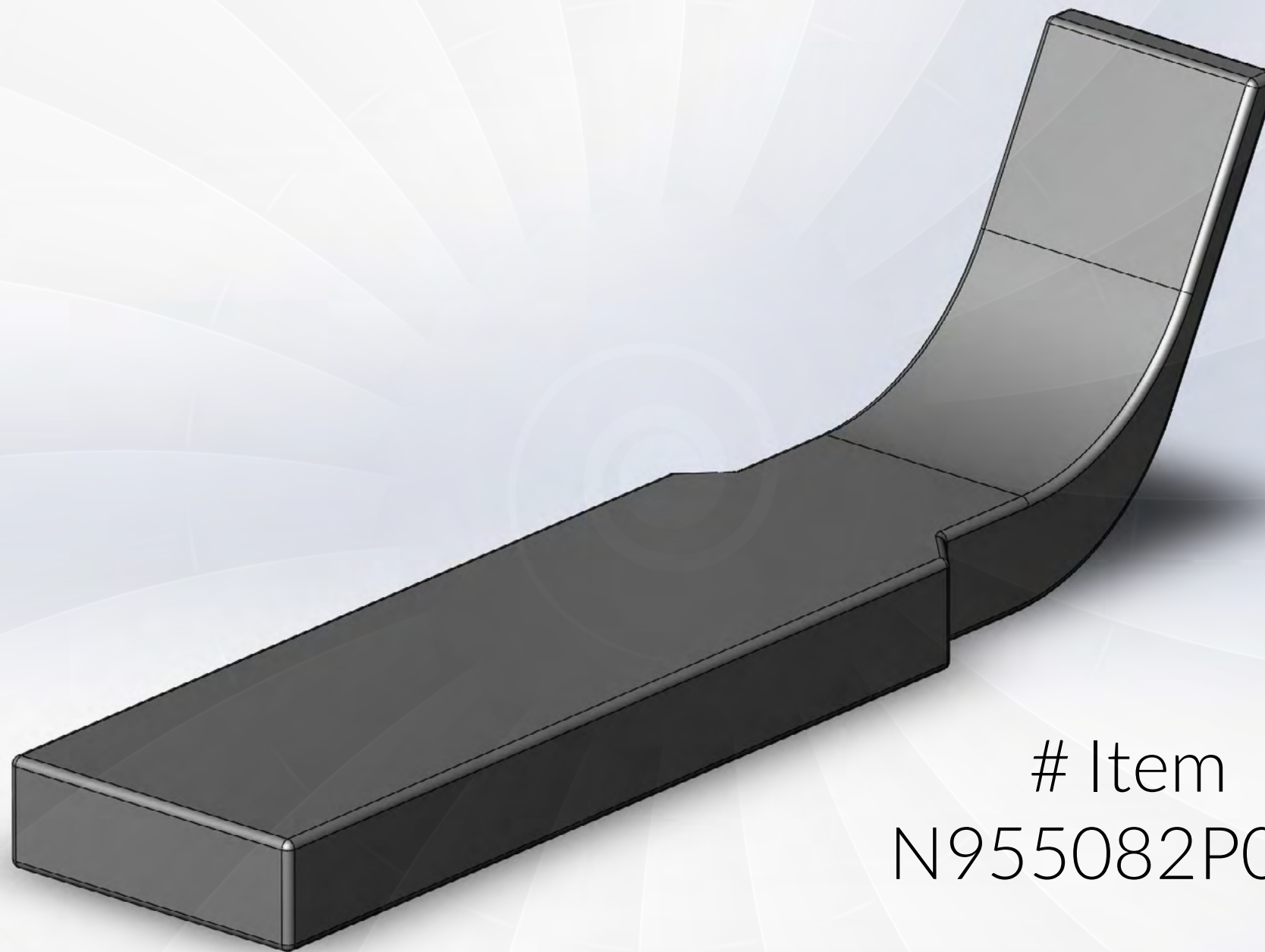
# Item  
N9550820069



# Item  
N955082L115

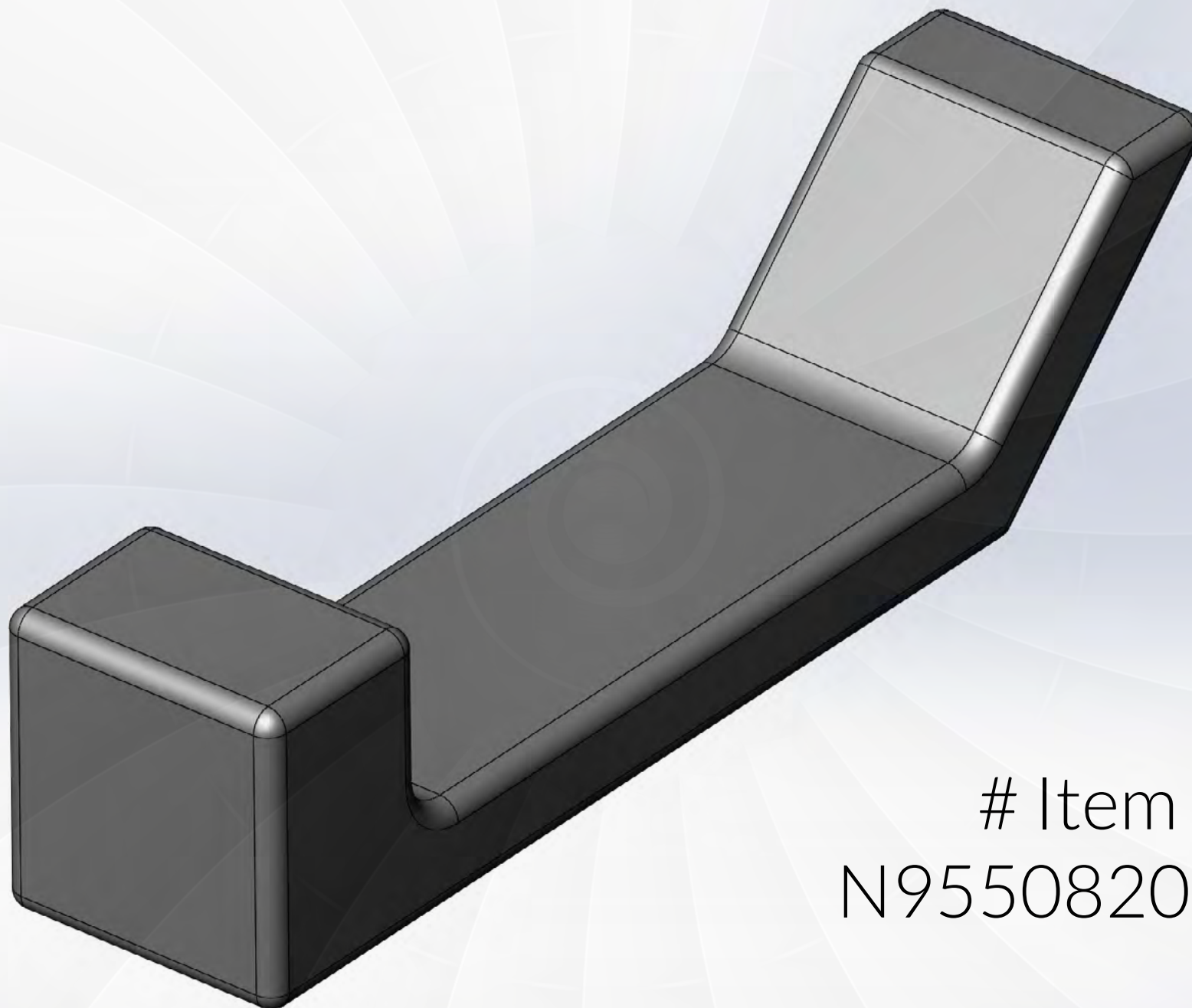


# Item  
N955082P001

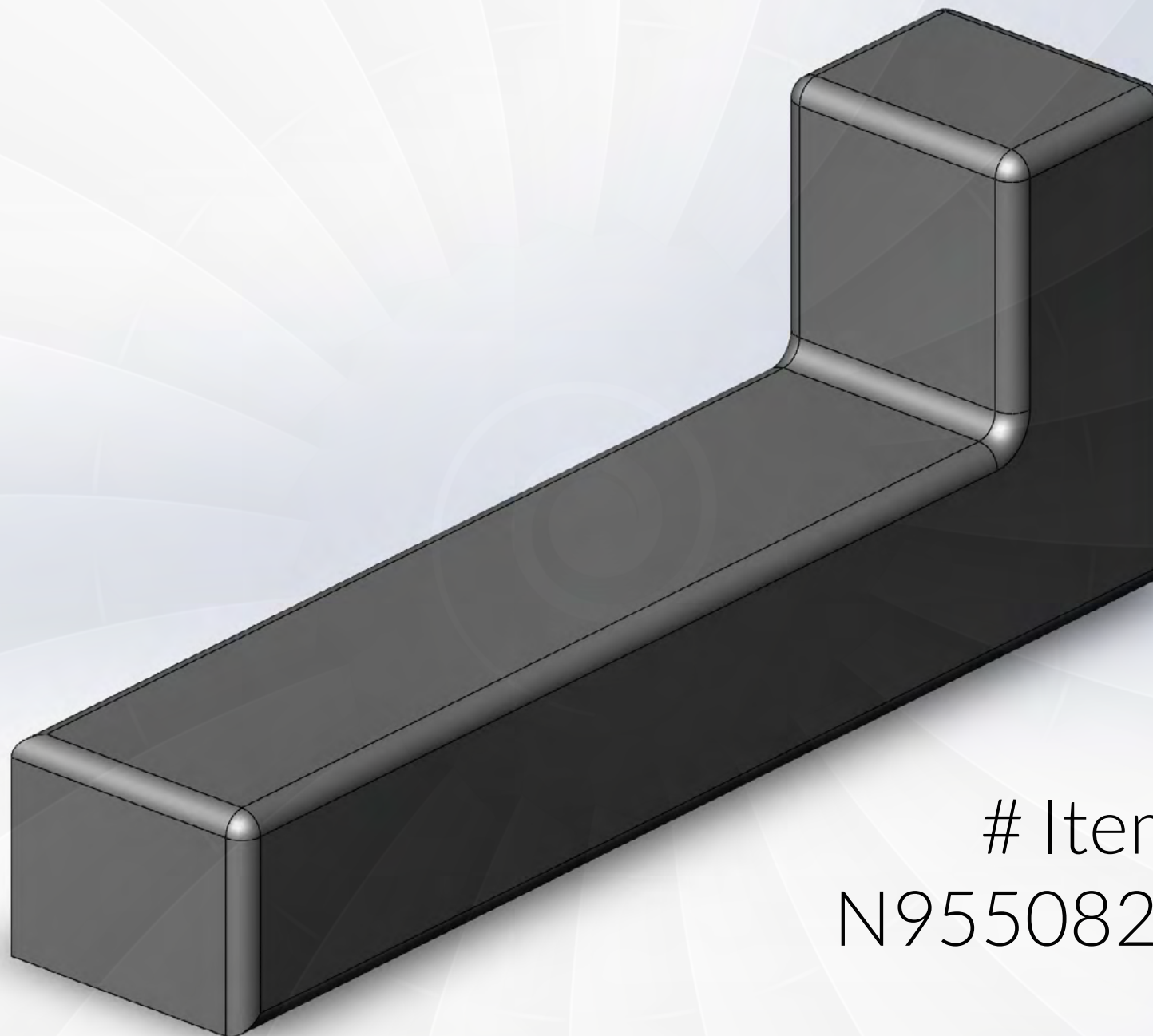


# Item  
N955082P002

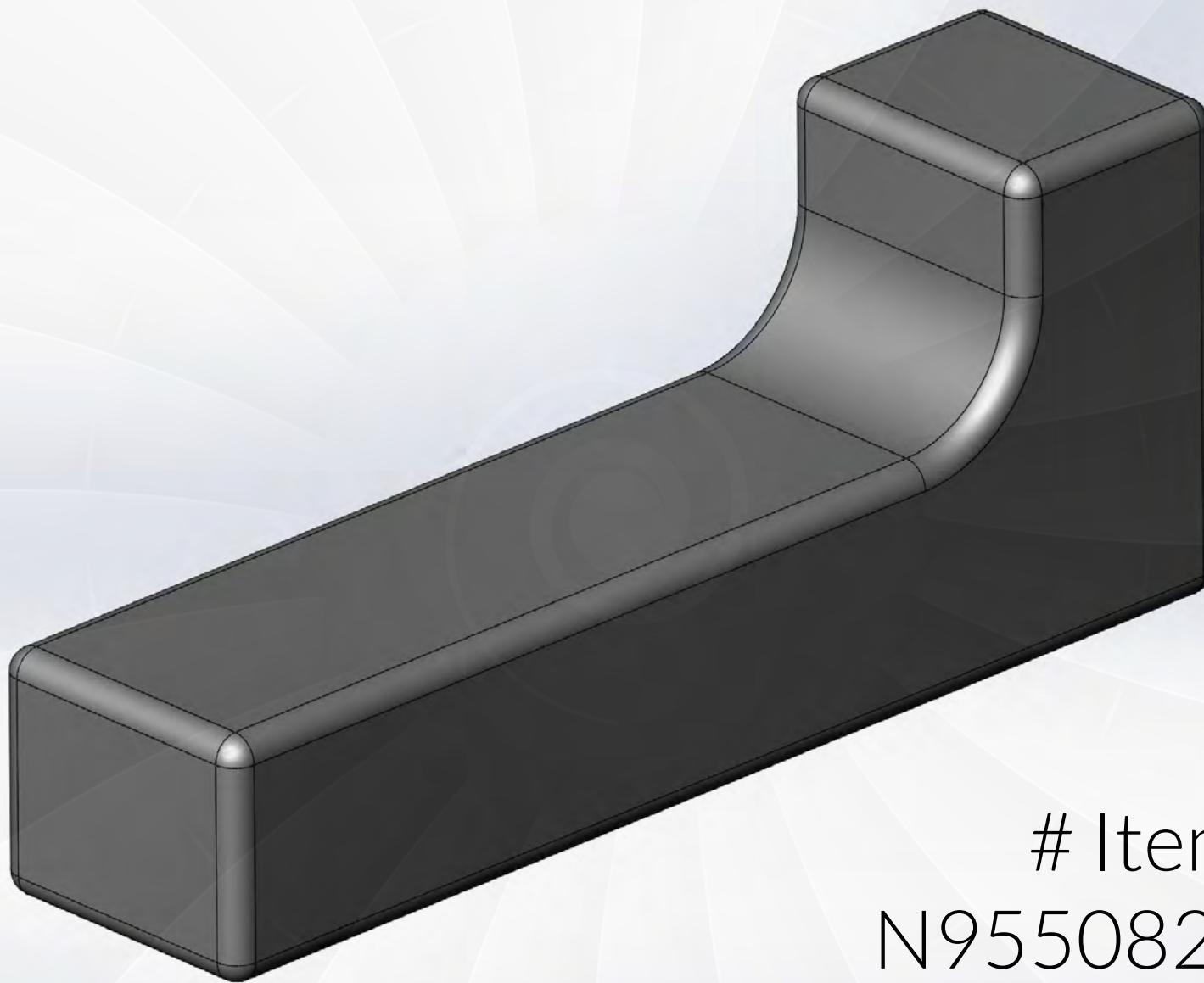




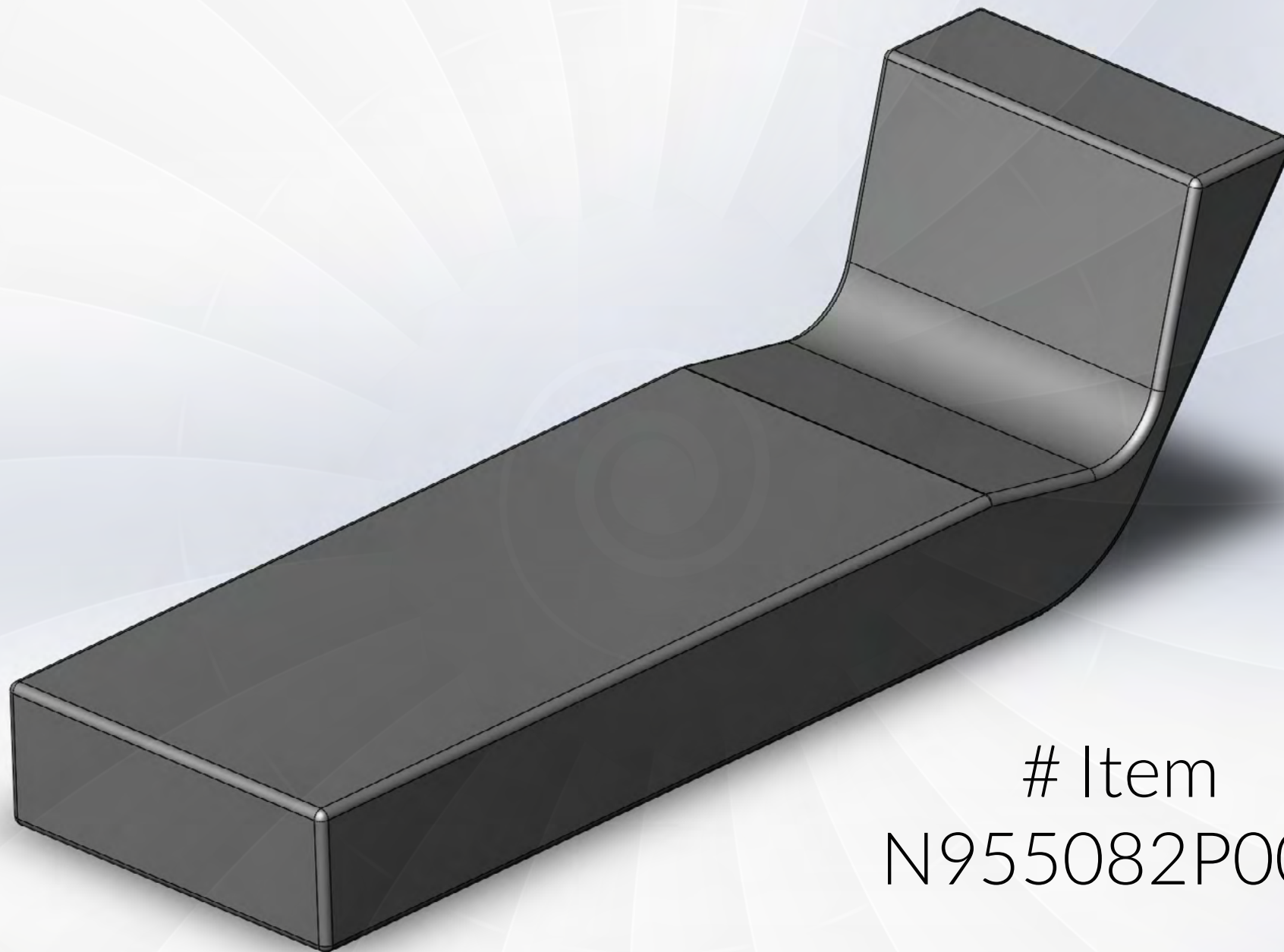
# Item  
N9550820081



# Item  
N9550820086

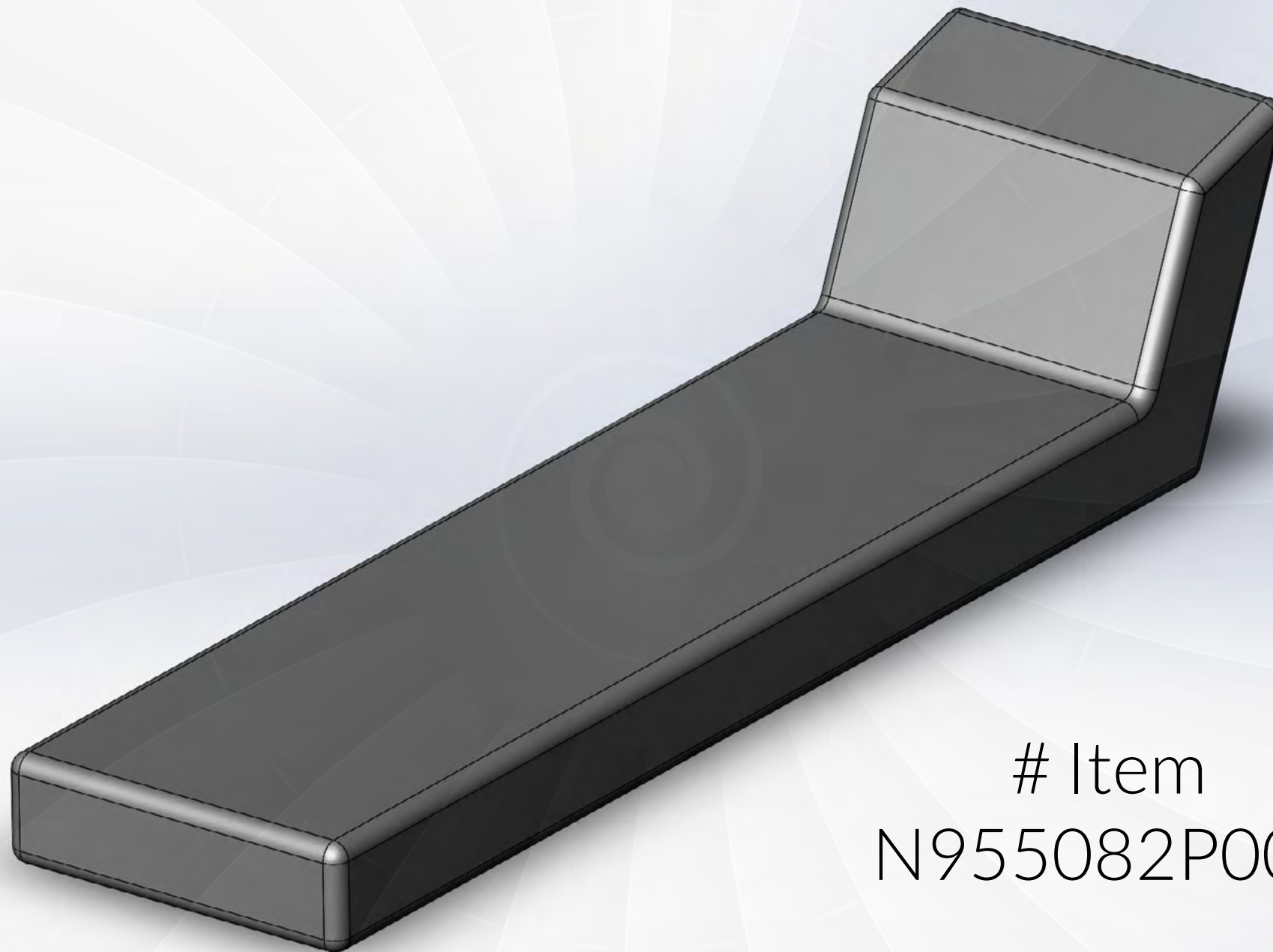


# Item  
N95508286LR

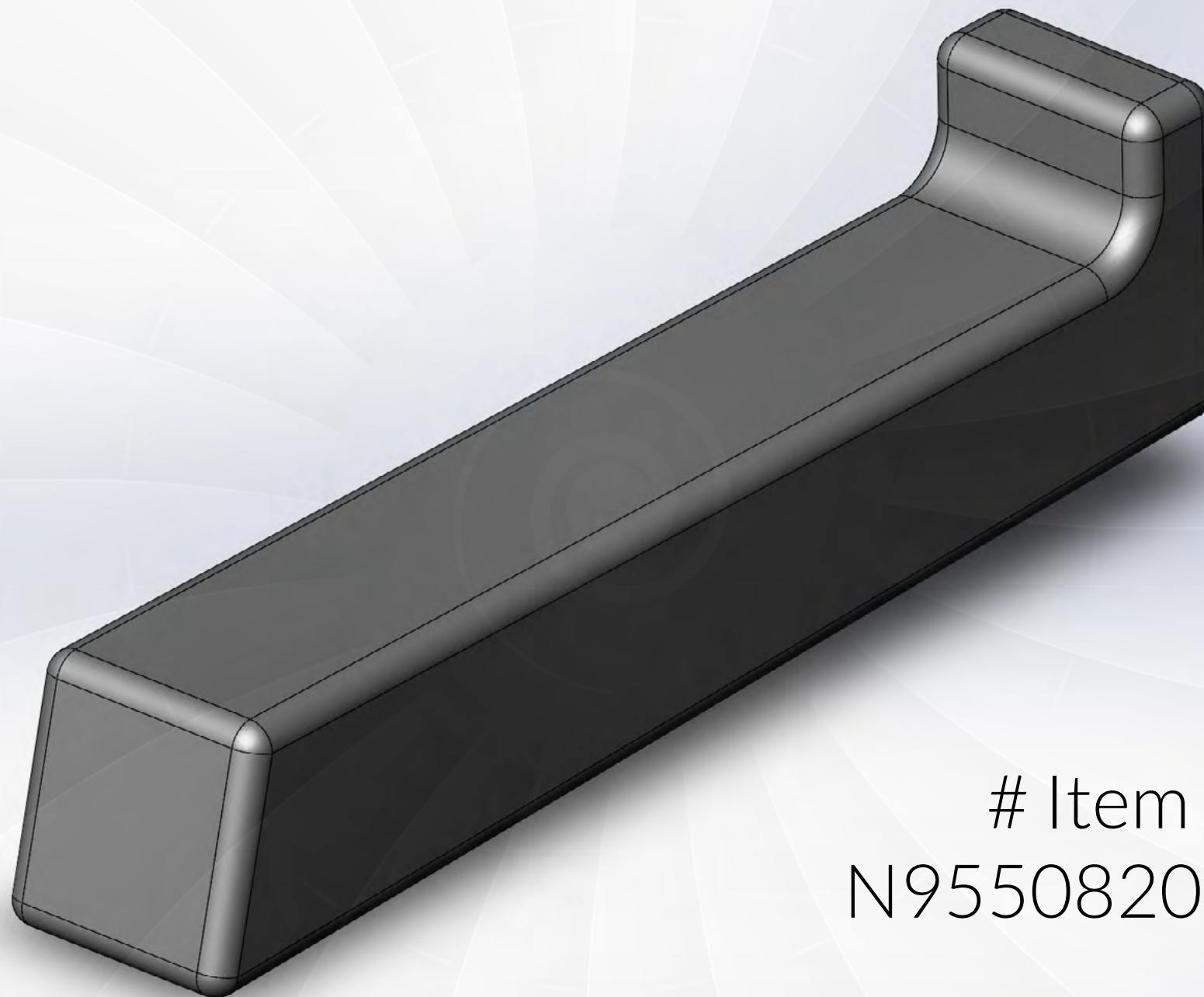


# Item  
N955082P004

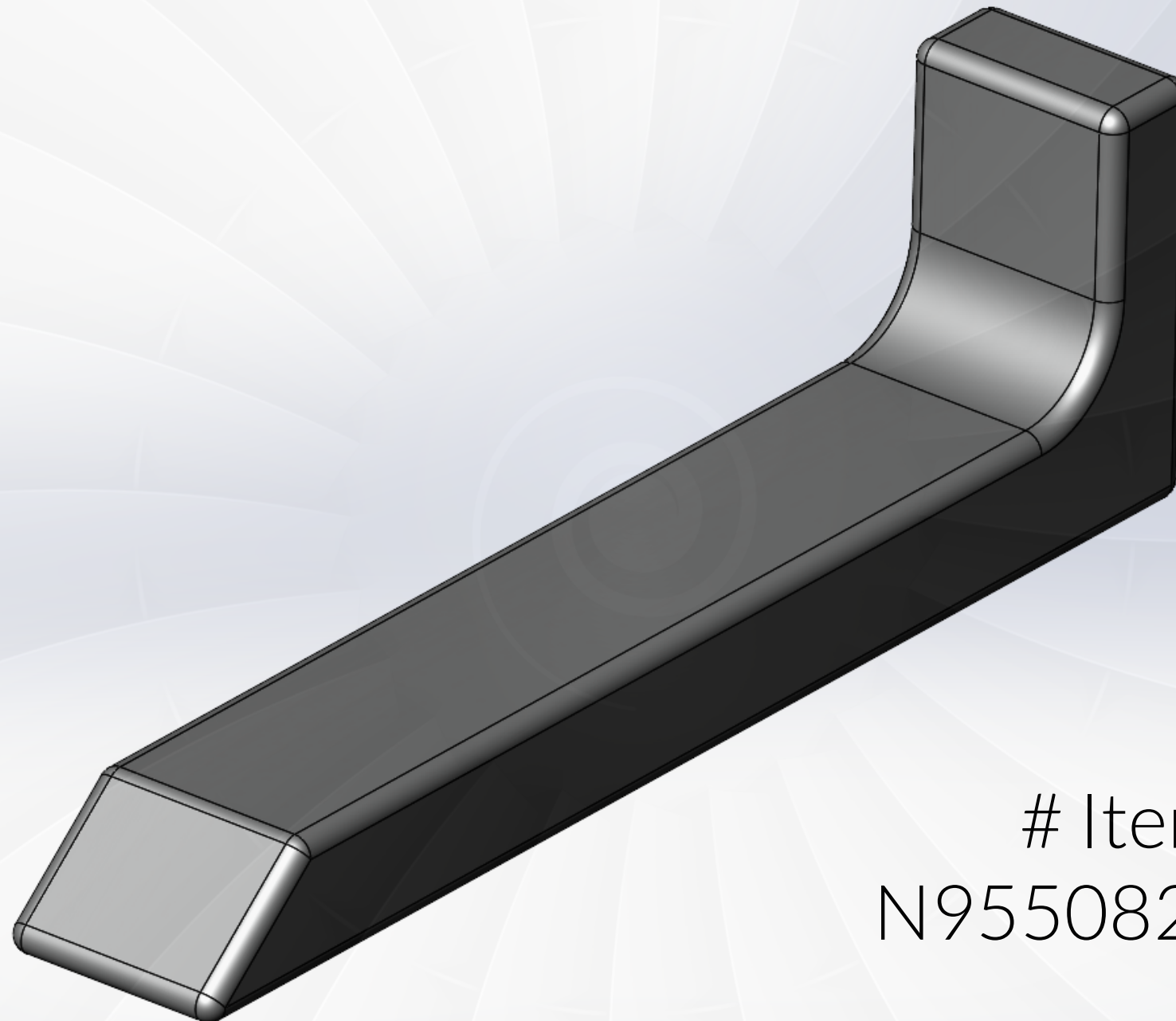




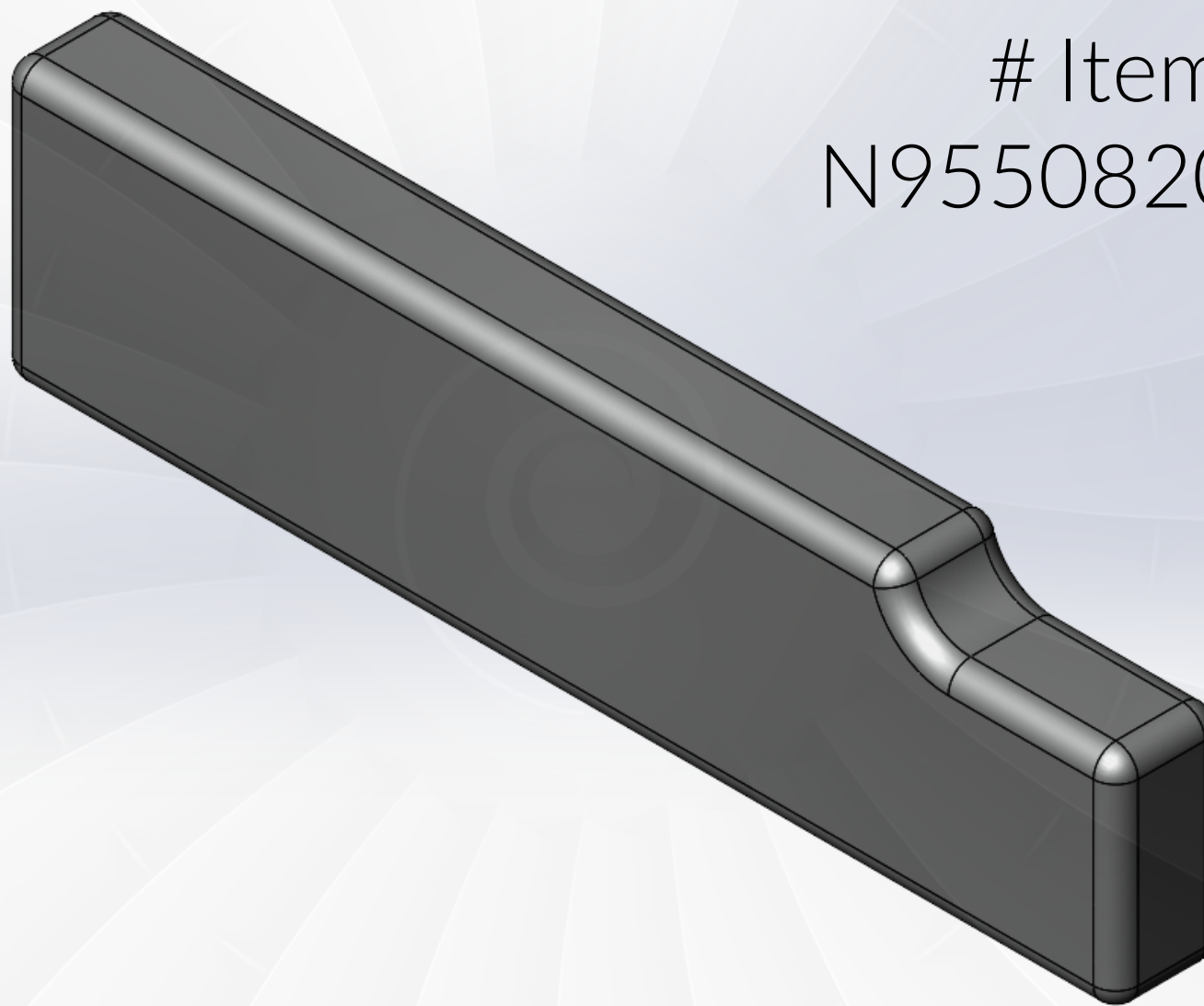
# Item  
N955082P003



# Item  
N9550820068



# Item  
N95508286LB

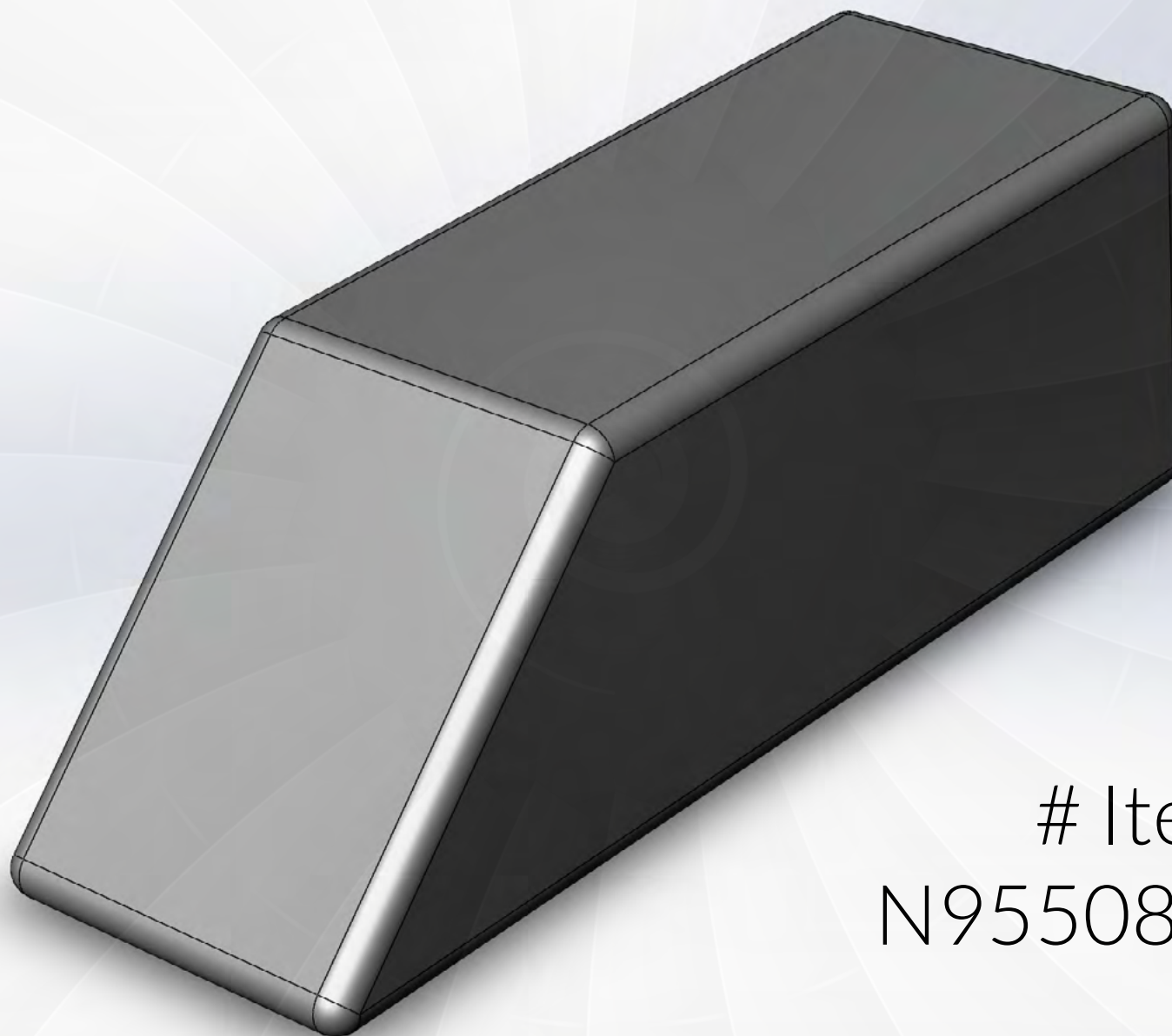


# Item  
N9550820060

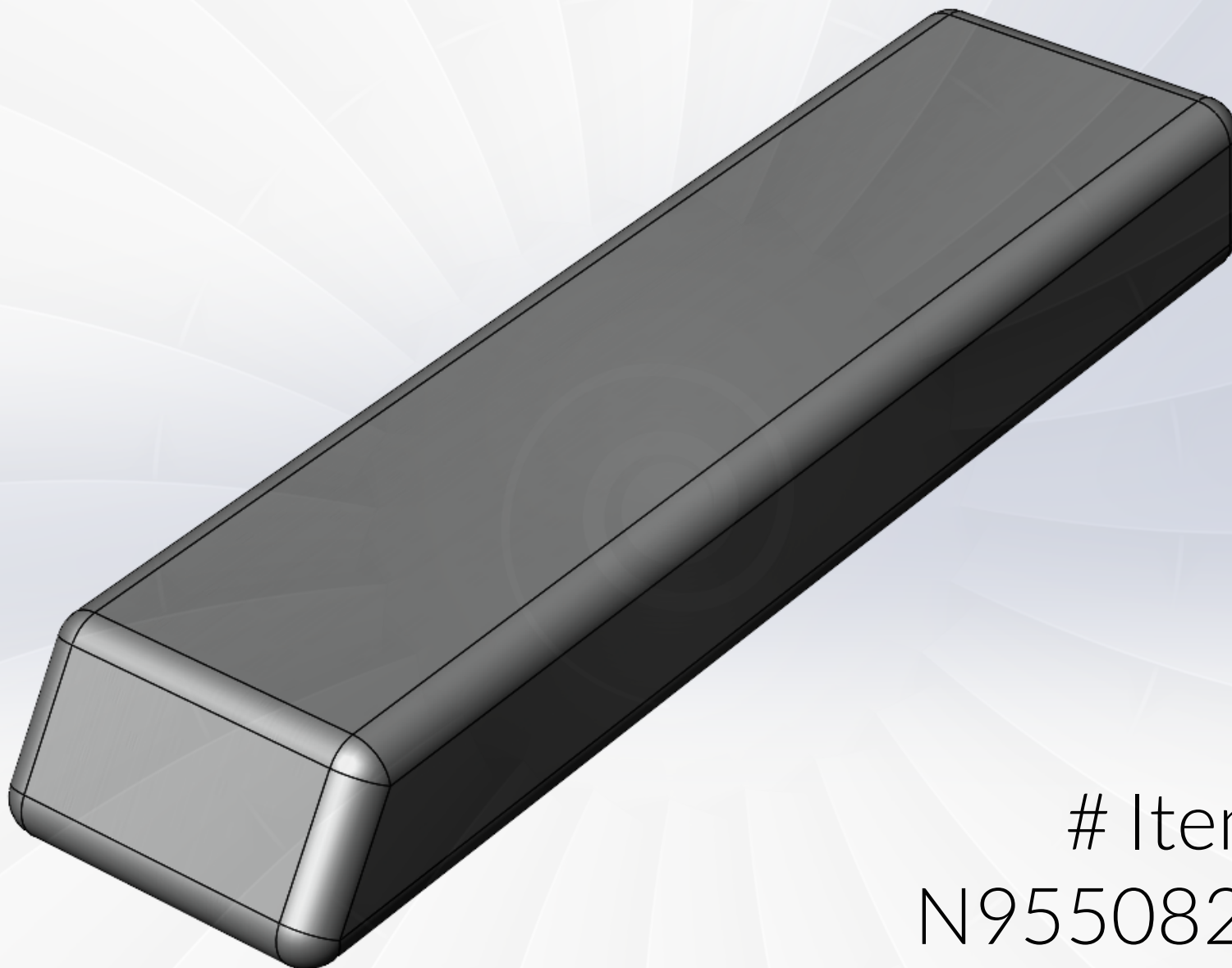




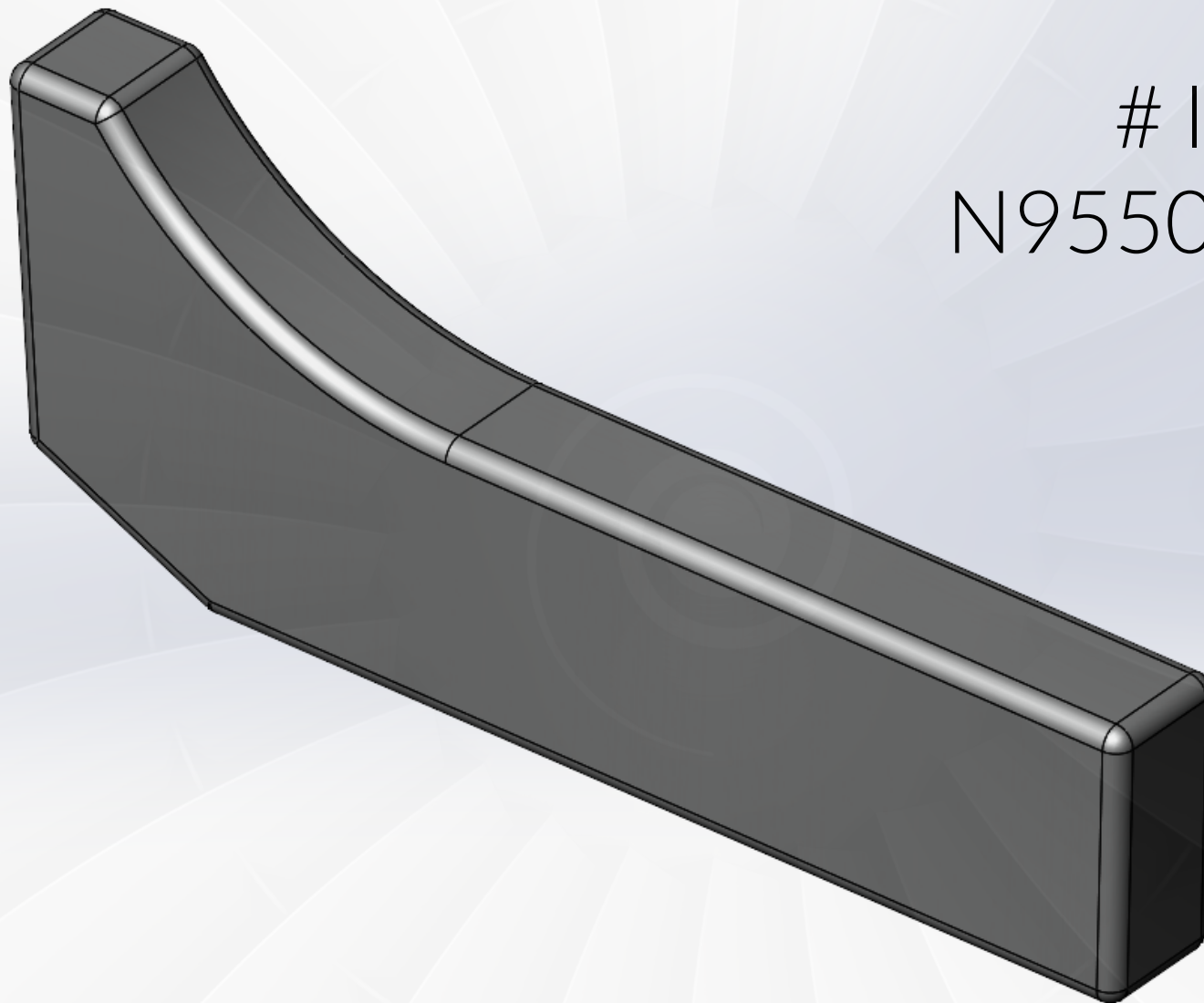
# Item  
N955082D160



# Item  
N9550820047

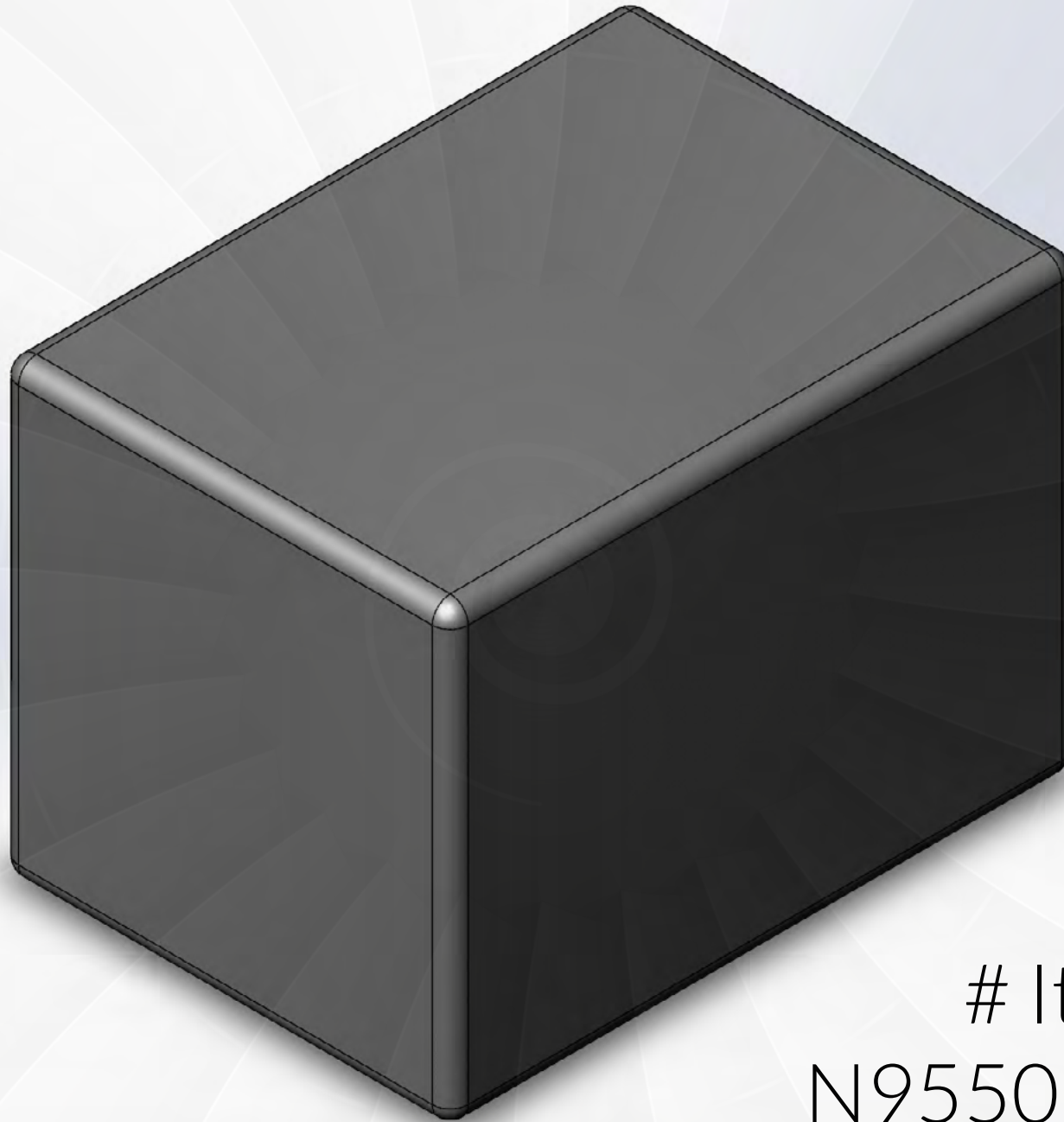


# Item  
N9550820046

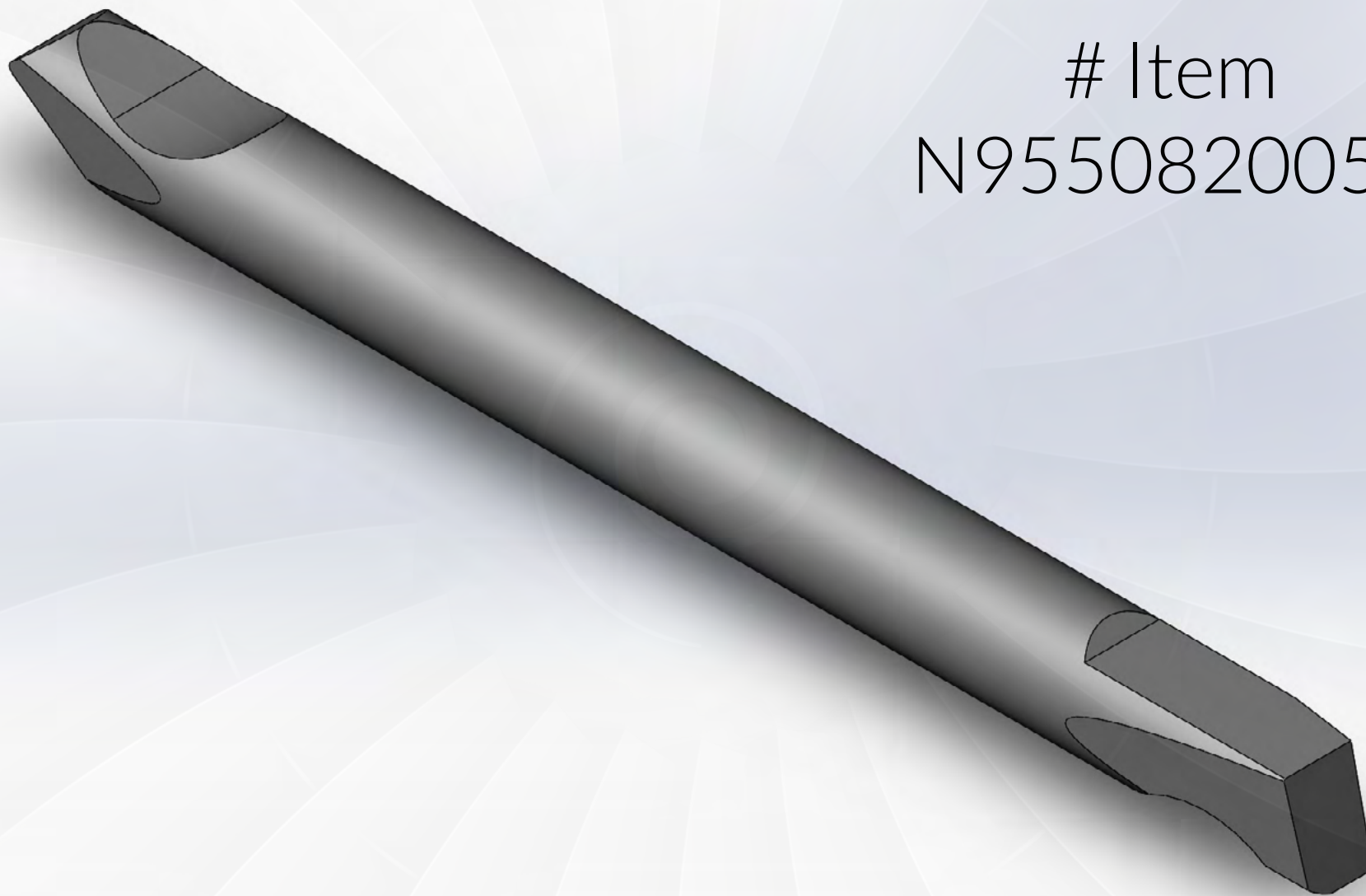


# Item  
N9550820067





# Item  
N9550825070



# Item  
N9550820051



# Item  
N9550800402



# Item  
N955082C350





# # Item N95508COFF1

N9550800201

N9550820021

N9550820026

N9550820046

N9550820047



# # Item N95508COFF2

N9550820051

N9550820060

N9550820067

N9550820069

N9550820086





# # Item N95508COFF3

N955082C350  
N955082P001  
N9550820081  
N9550825070  
N955082CC55



# # Item N95508COFF4

N9550800402

N955082L115

N955082P130

N955082P002

N955082P003





# # Item N95508COFF5

N955082P004  
N955082C150  
N9550820068  
N955082D160  
N95508286LR



# # Item N95508COFF6

N9550800201  
N9550820068  
N9550820069  
N9550820086  
N9550820047  
N95508286LR





# # Item N95508COFF7

N9550800201

N9550820069

N9550820086

N9550820021

N9550820026

N9550820051

# BIJA Industrie®

Aerospace & Industry



[WWW.BIJA-INDUSTRIE.COM](http://WWW.BIJA-INDUSTRIE.COM)

✉ [contact@bija-industrie.com](mailto:contact@bija-industrie.com)