

BIJA Industrie

A e r o s p a c e & I n d u s t r y

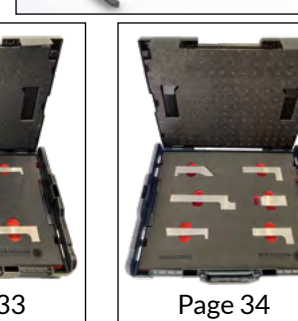
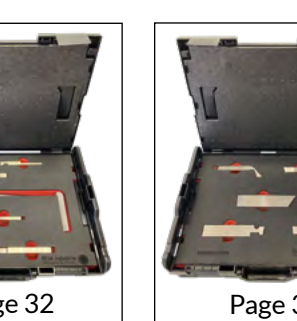
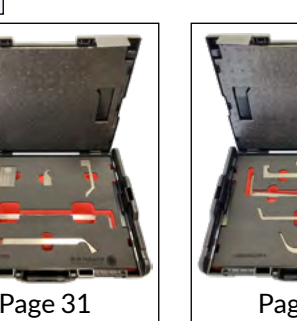
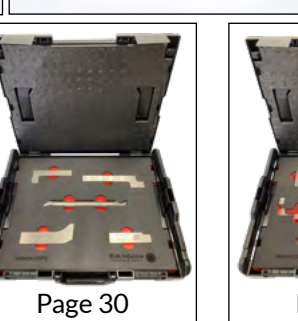
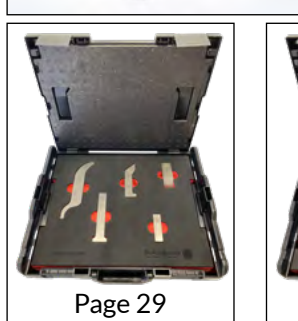
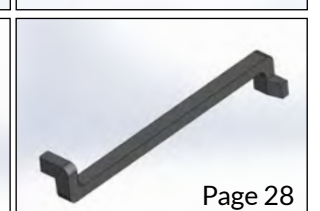
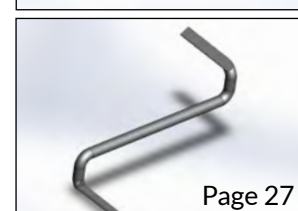
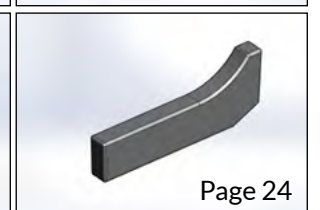
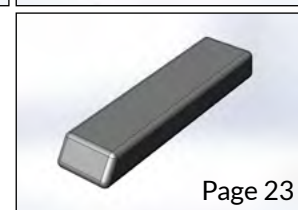
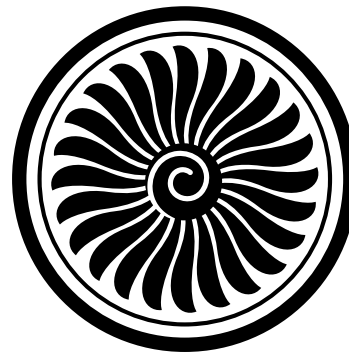
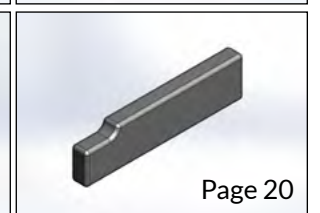
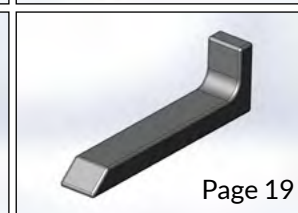
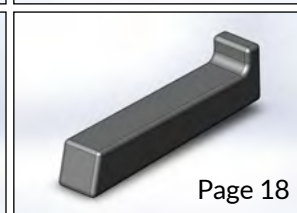
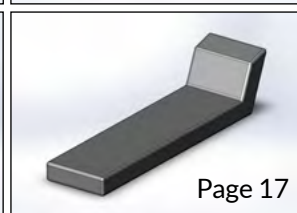
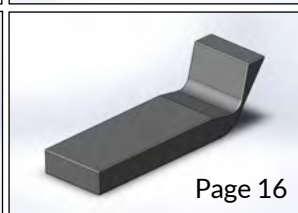
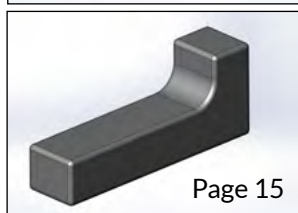
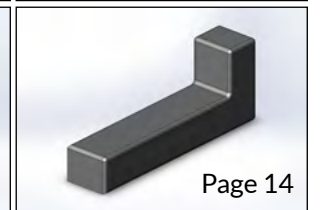
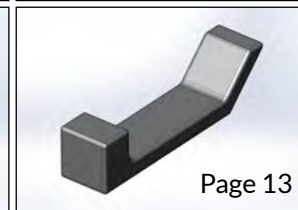
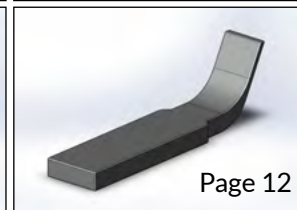
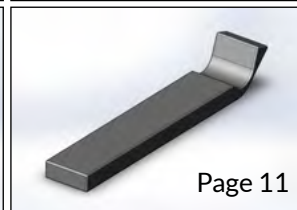
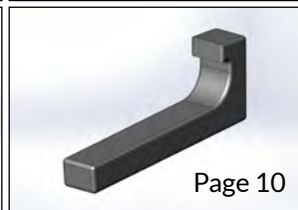
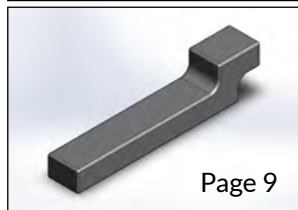
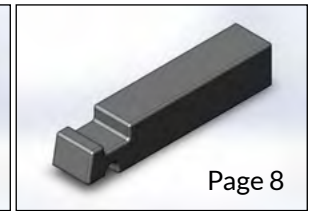
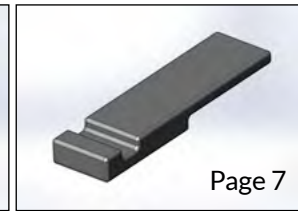
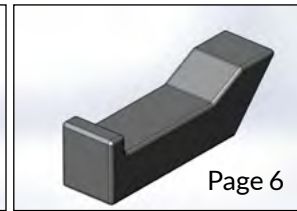
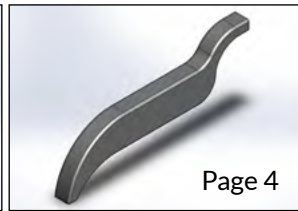
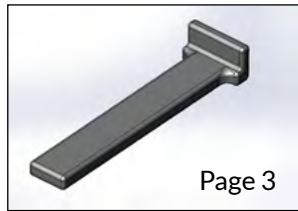
BUCKING BARS

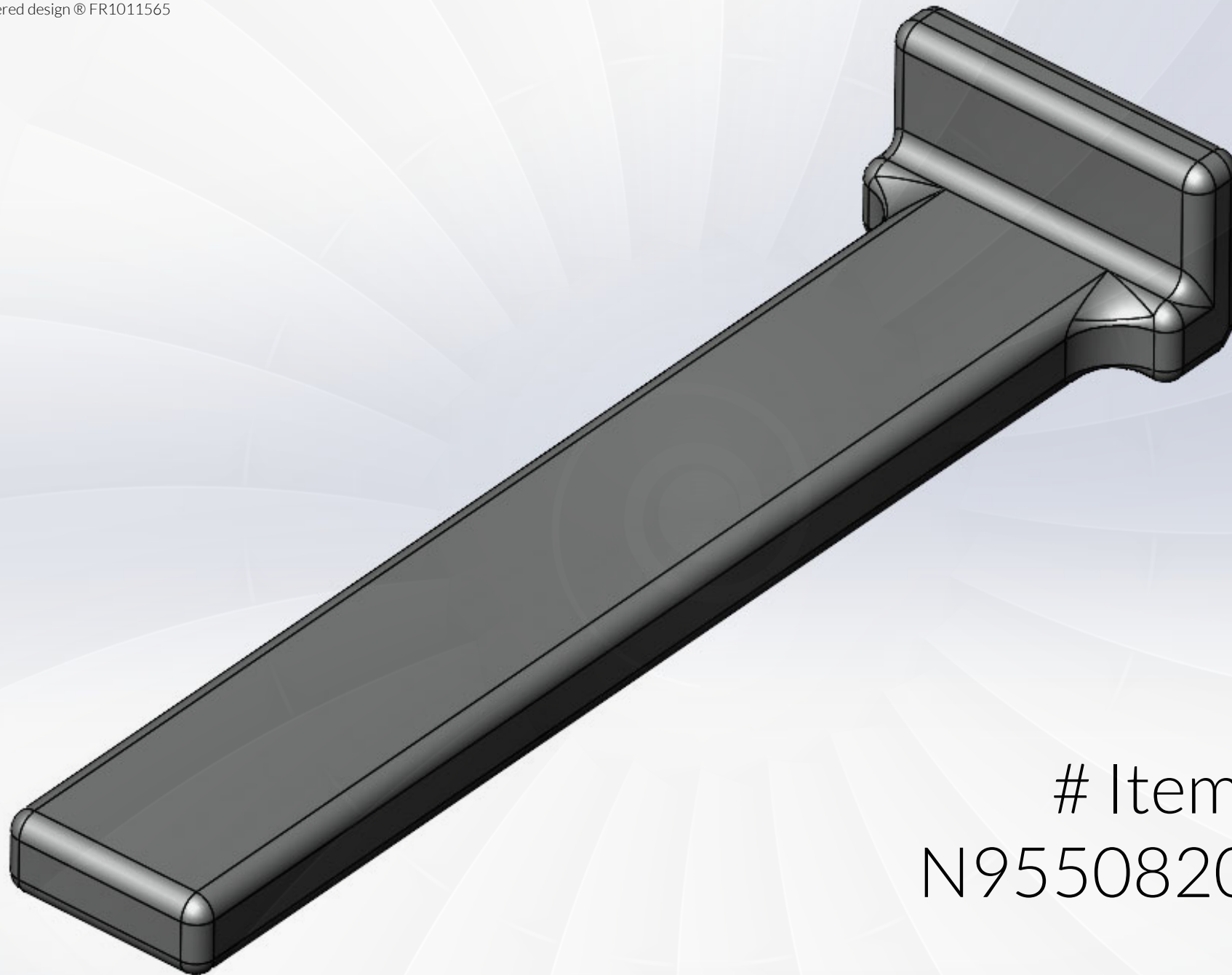
INERMET®

**T
A
B
L
E

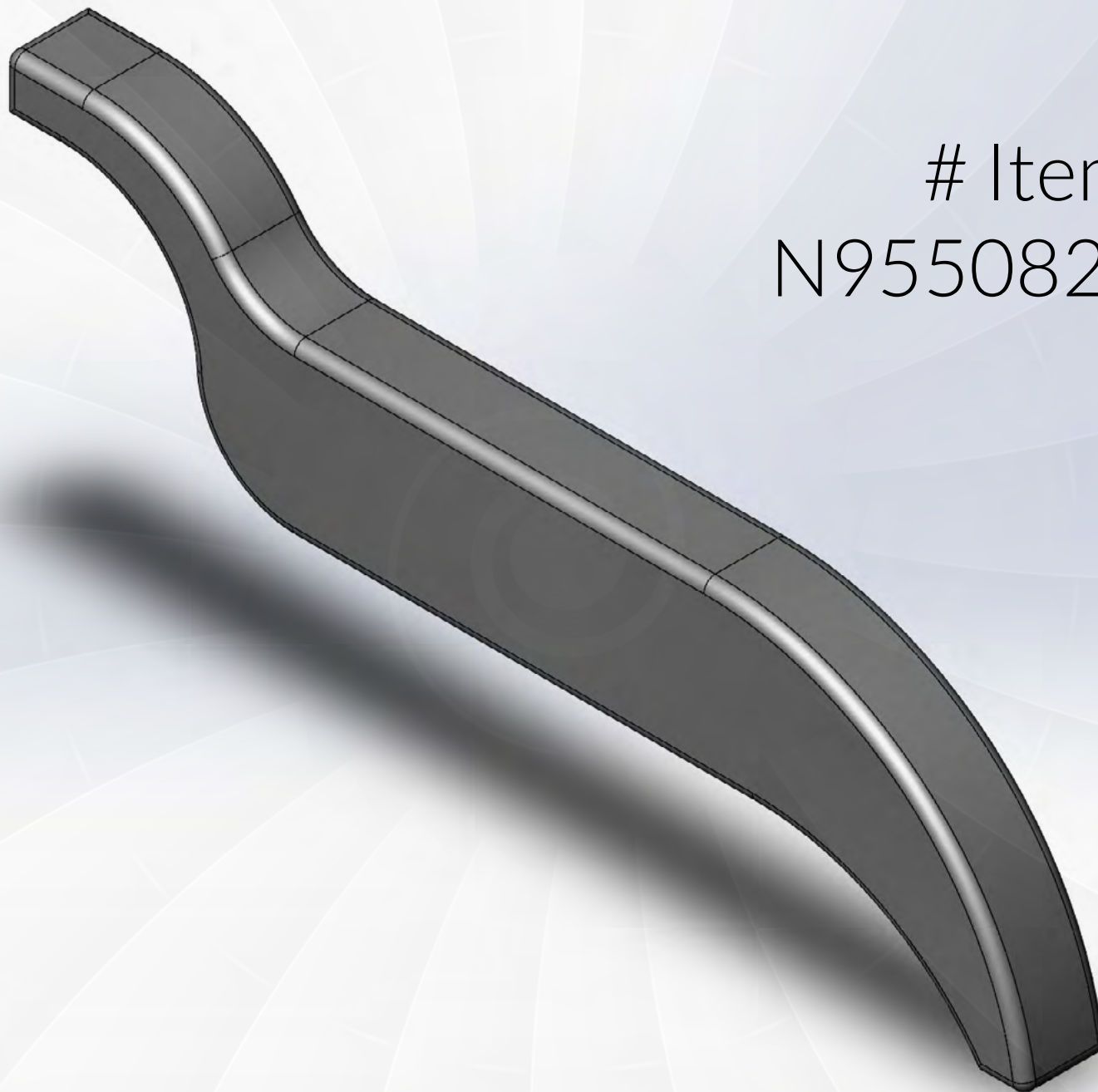
O
F

C
O
N
T
E
N
T
S**

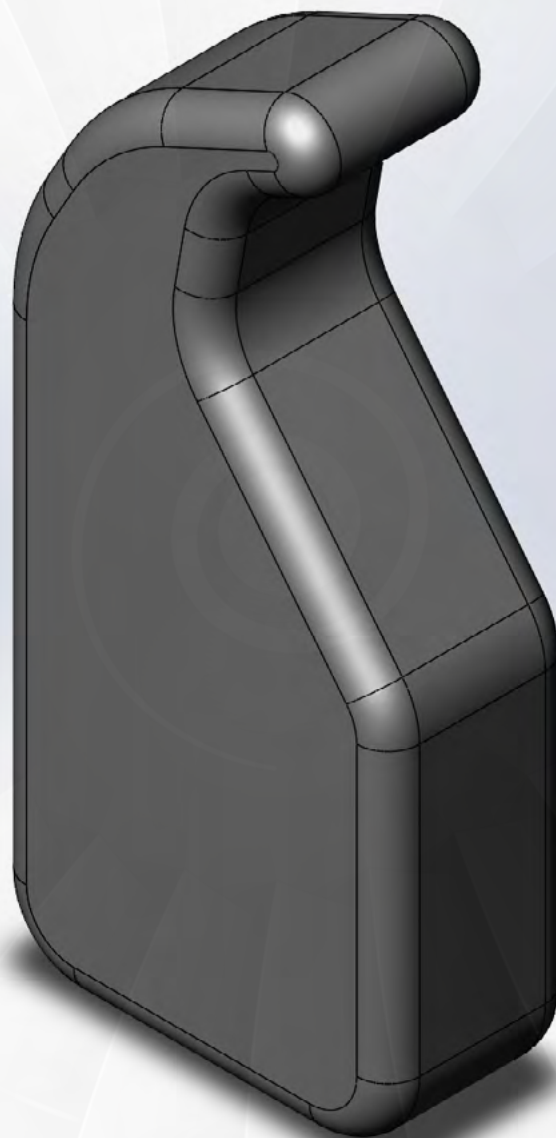




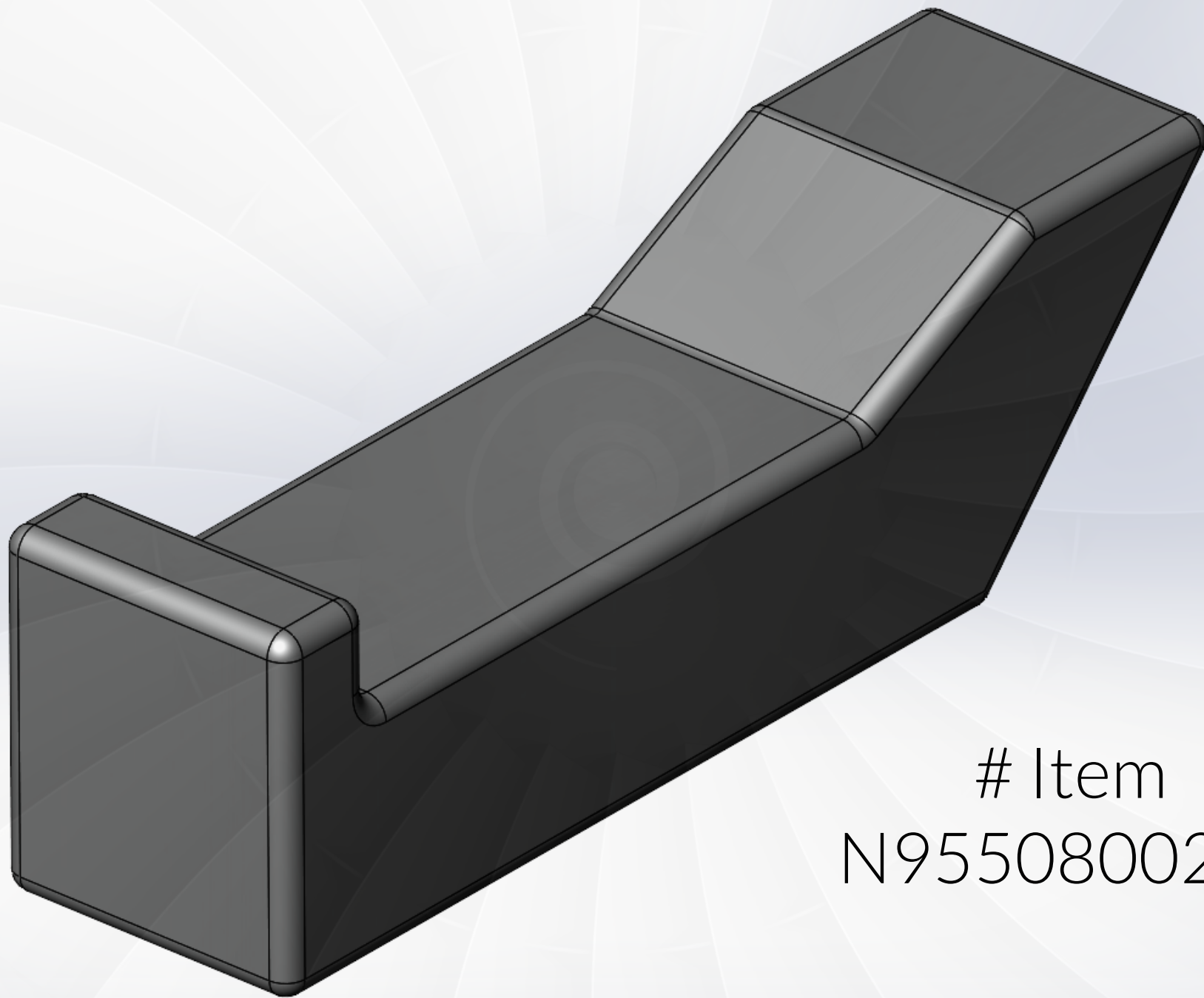
Item
N9550820026



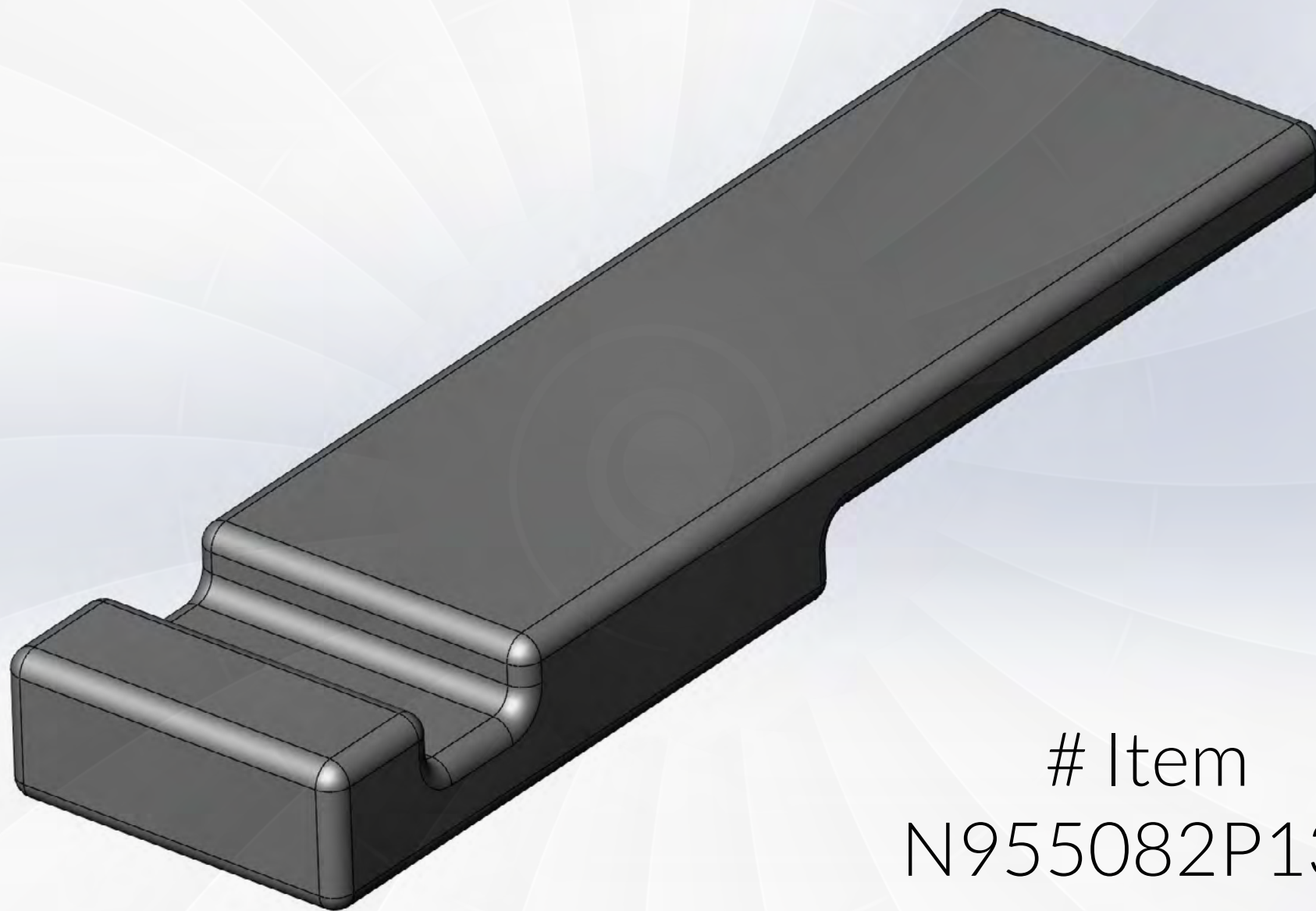
Item
N9550820021



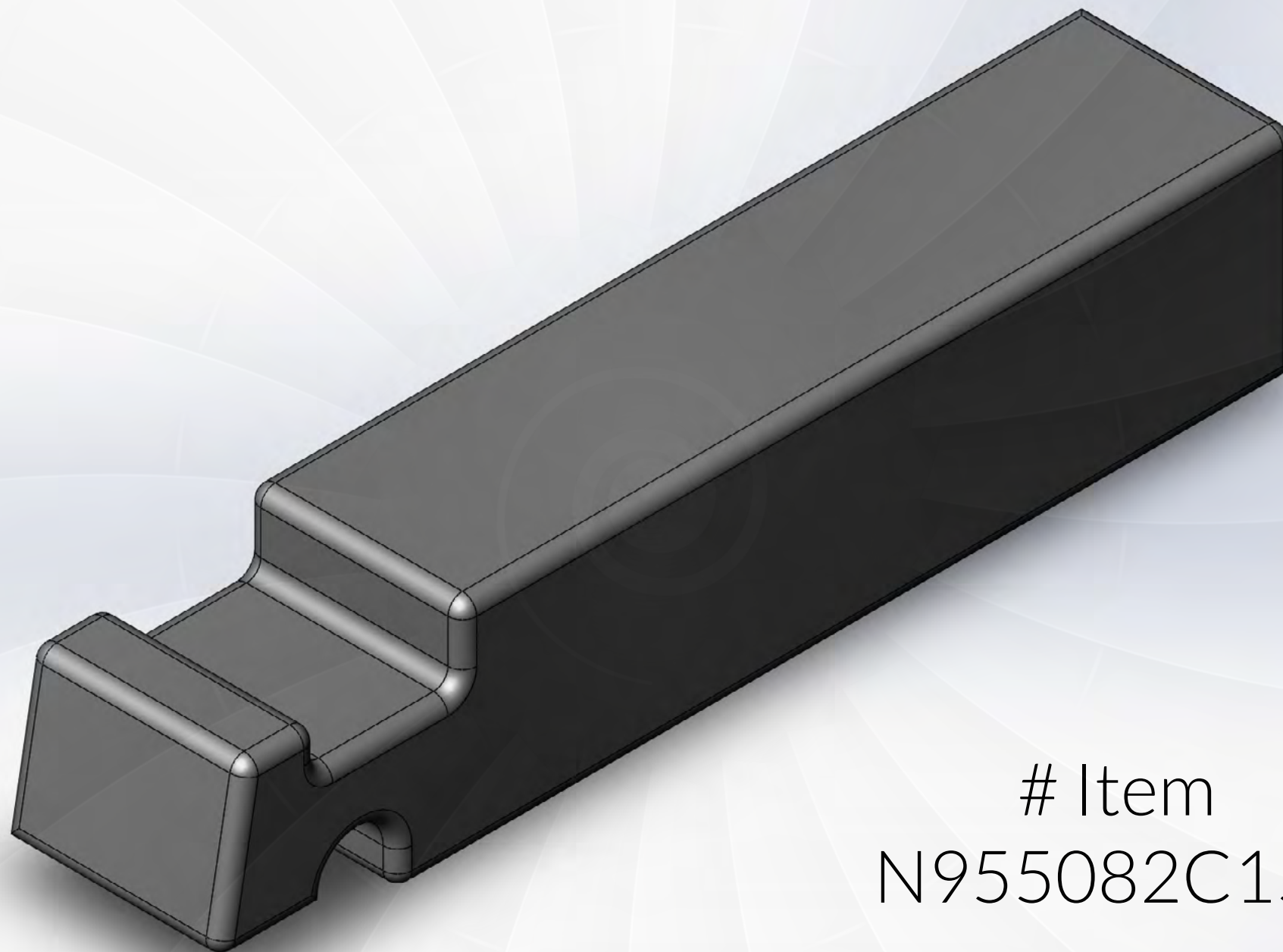
Item
N955082CC55



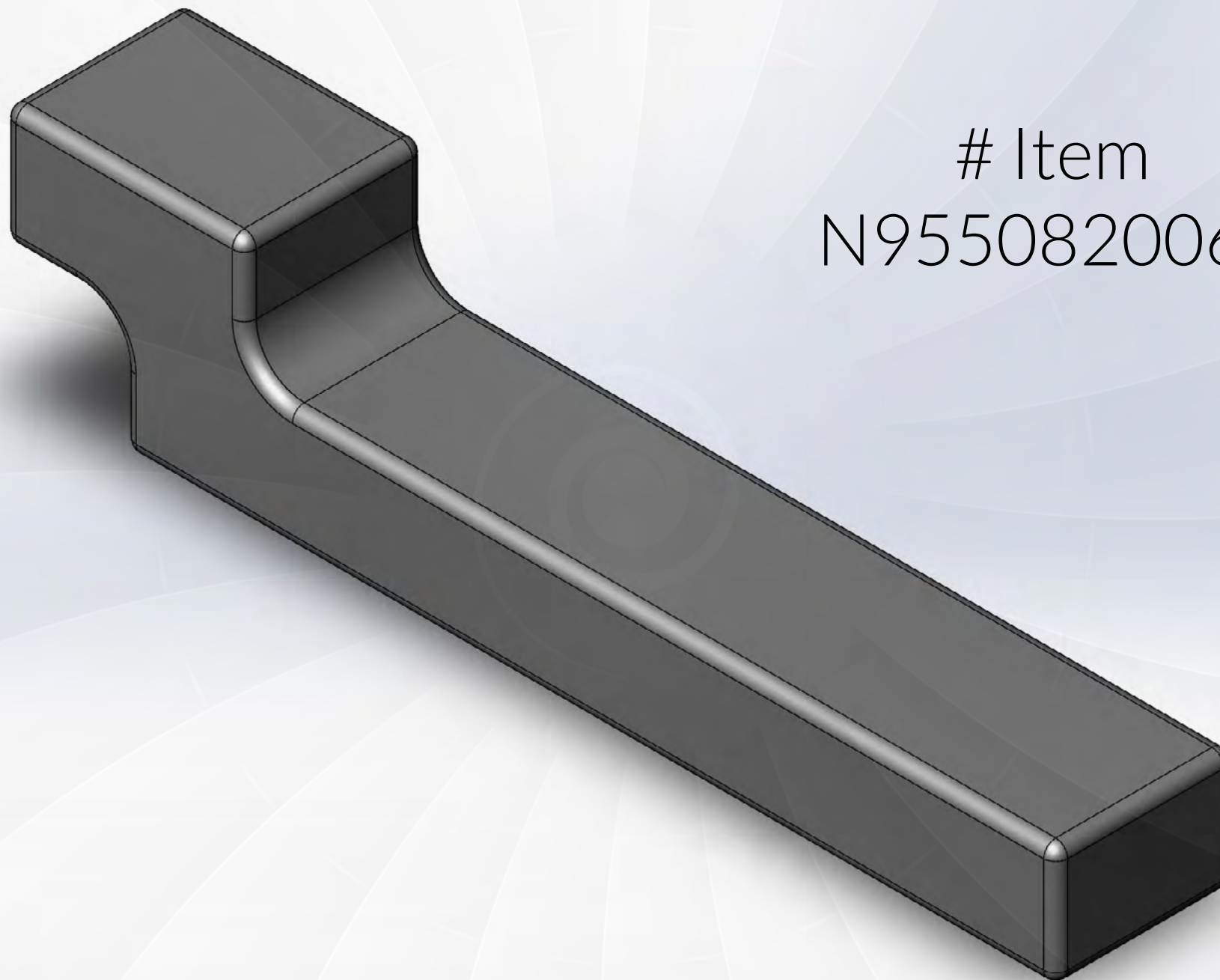
Item
N9550800201



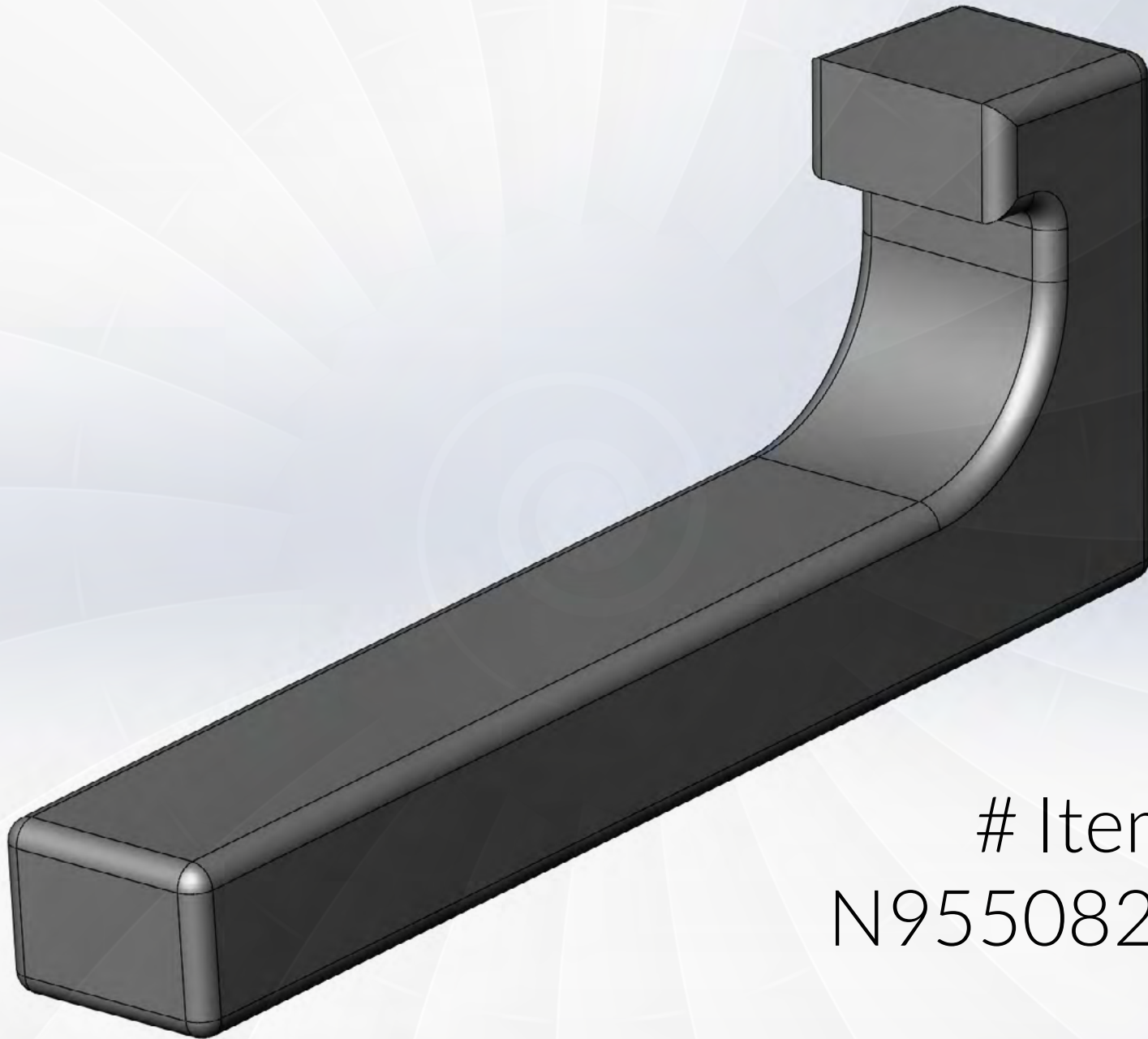
Item
N955082P130



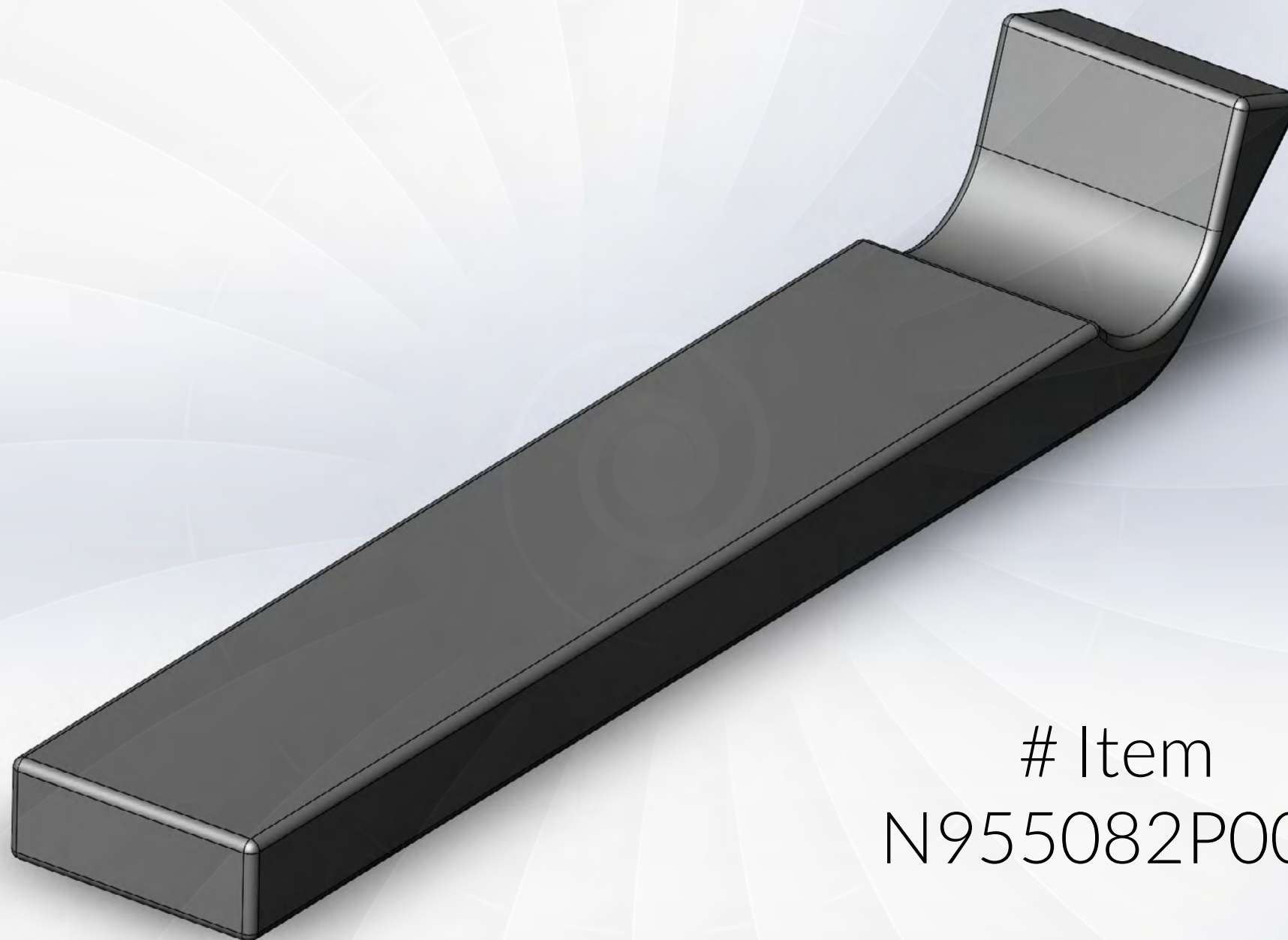
Item
N955082C150



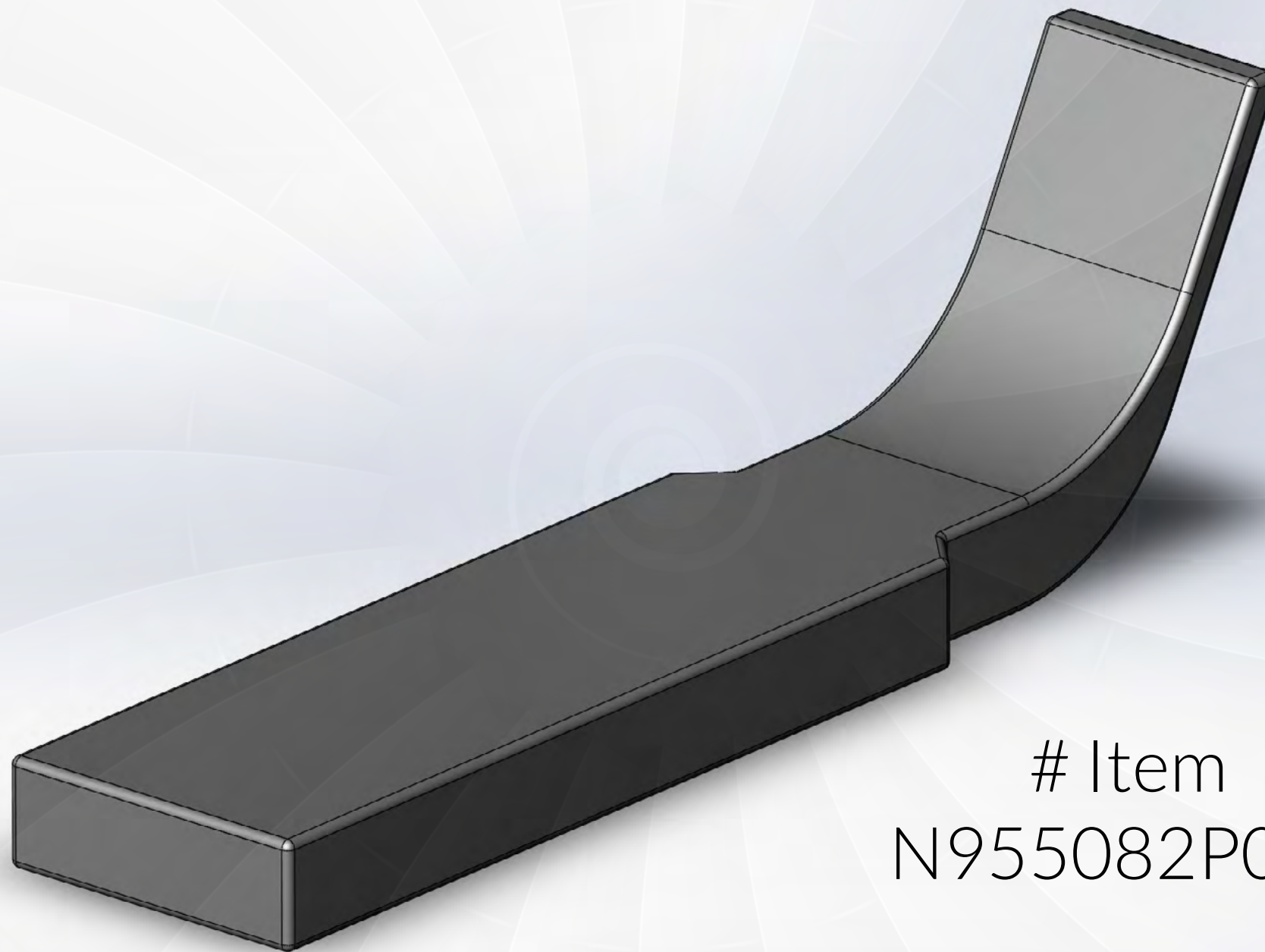
Item
N9550820069



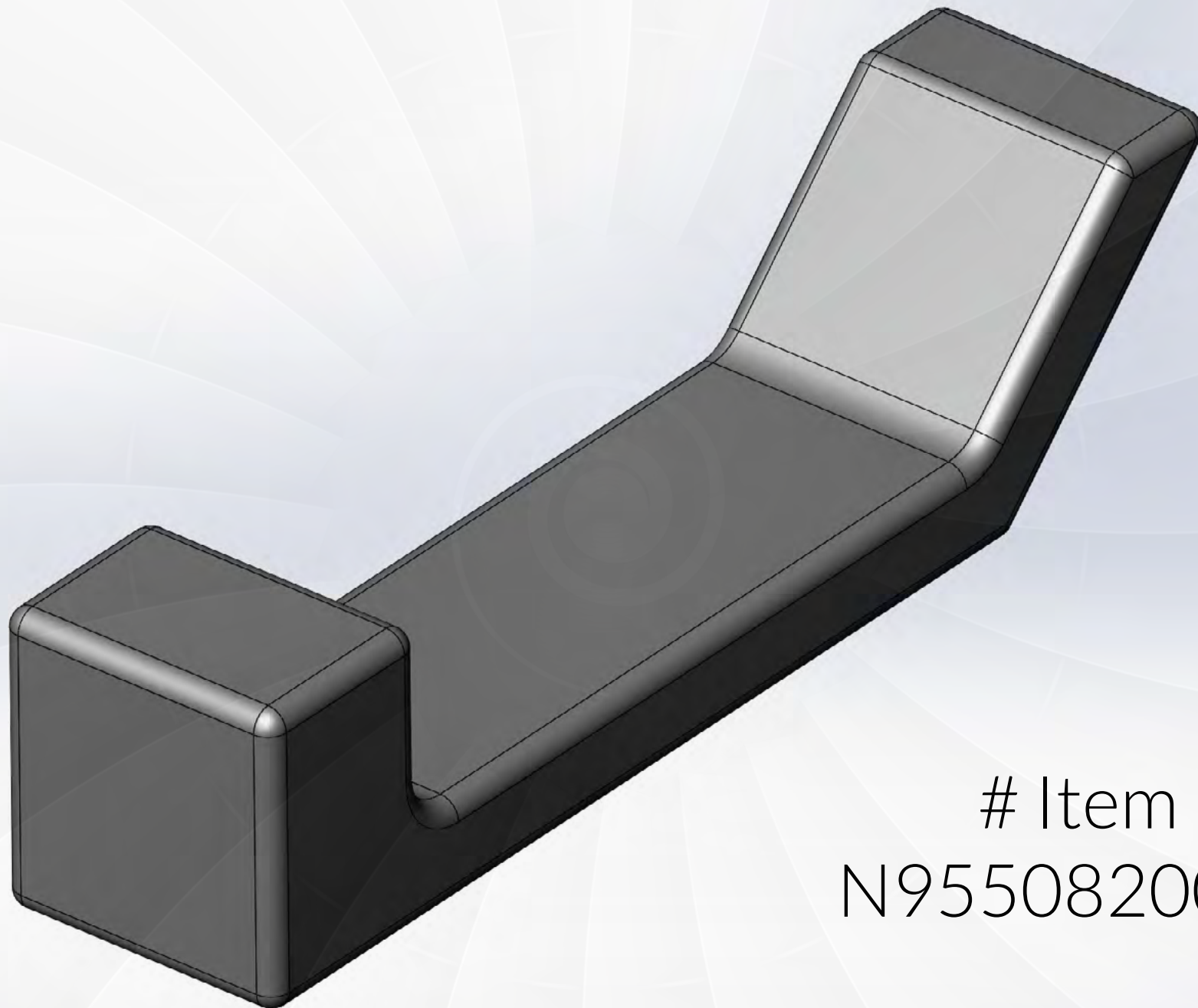
Item
N955082L115



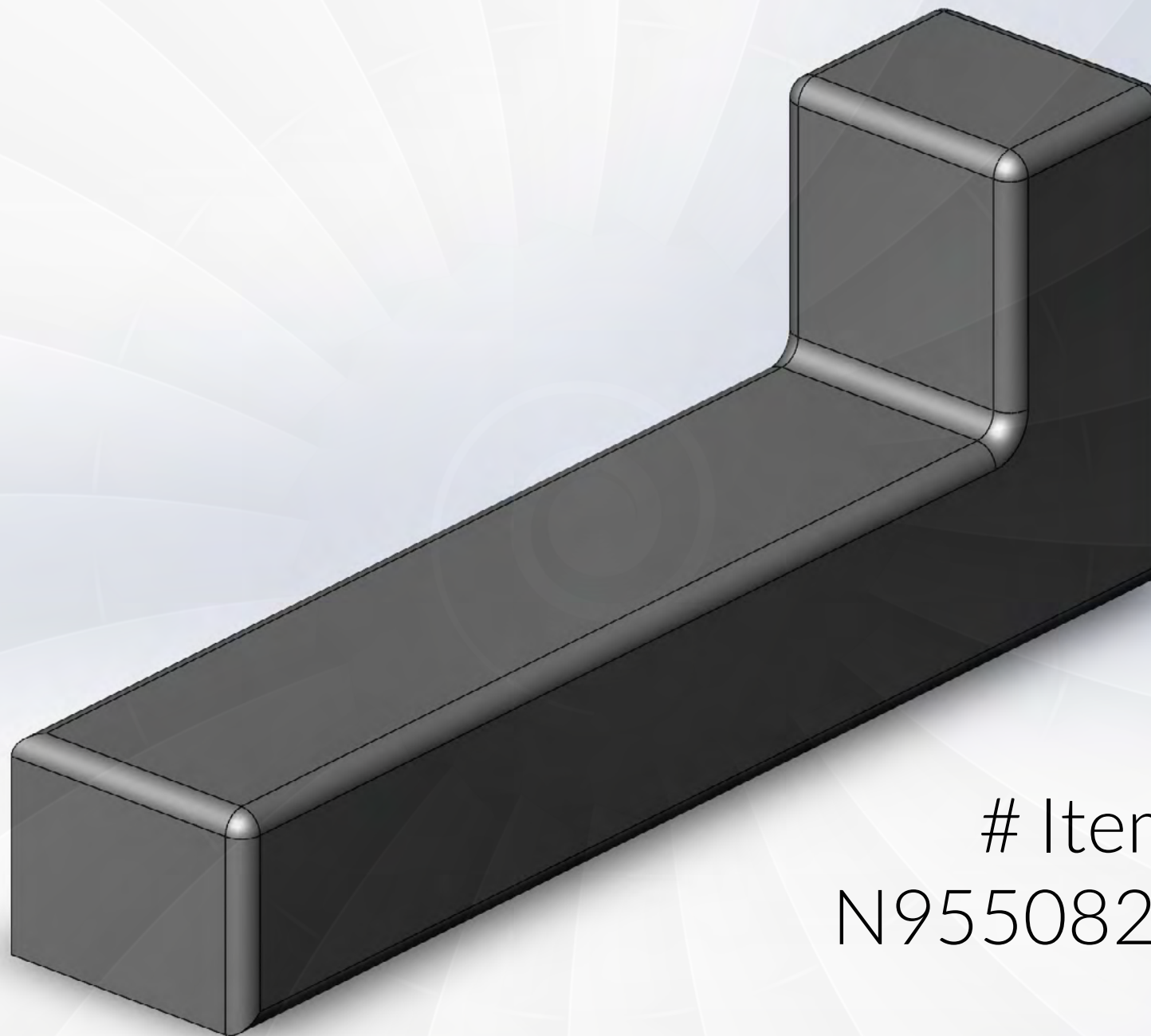
Item
N955082P001



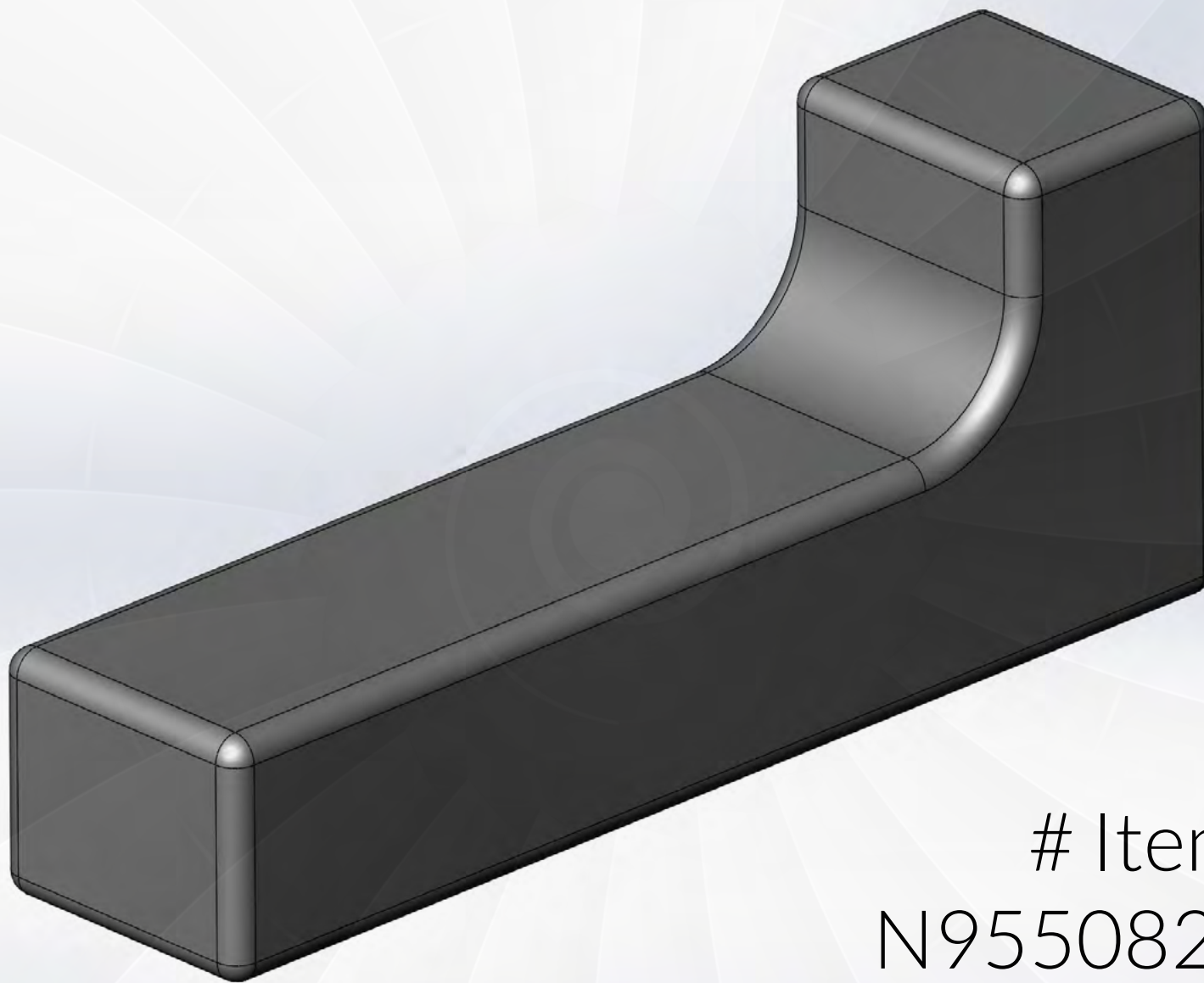
Item
N955082P002



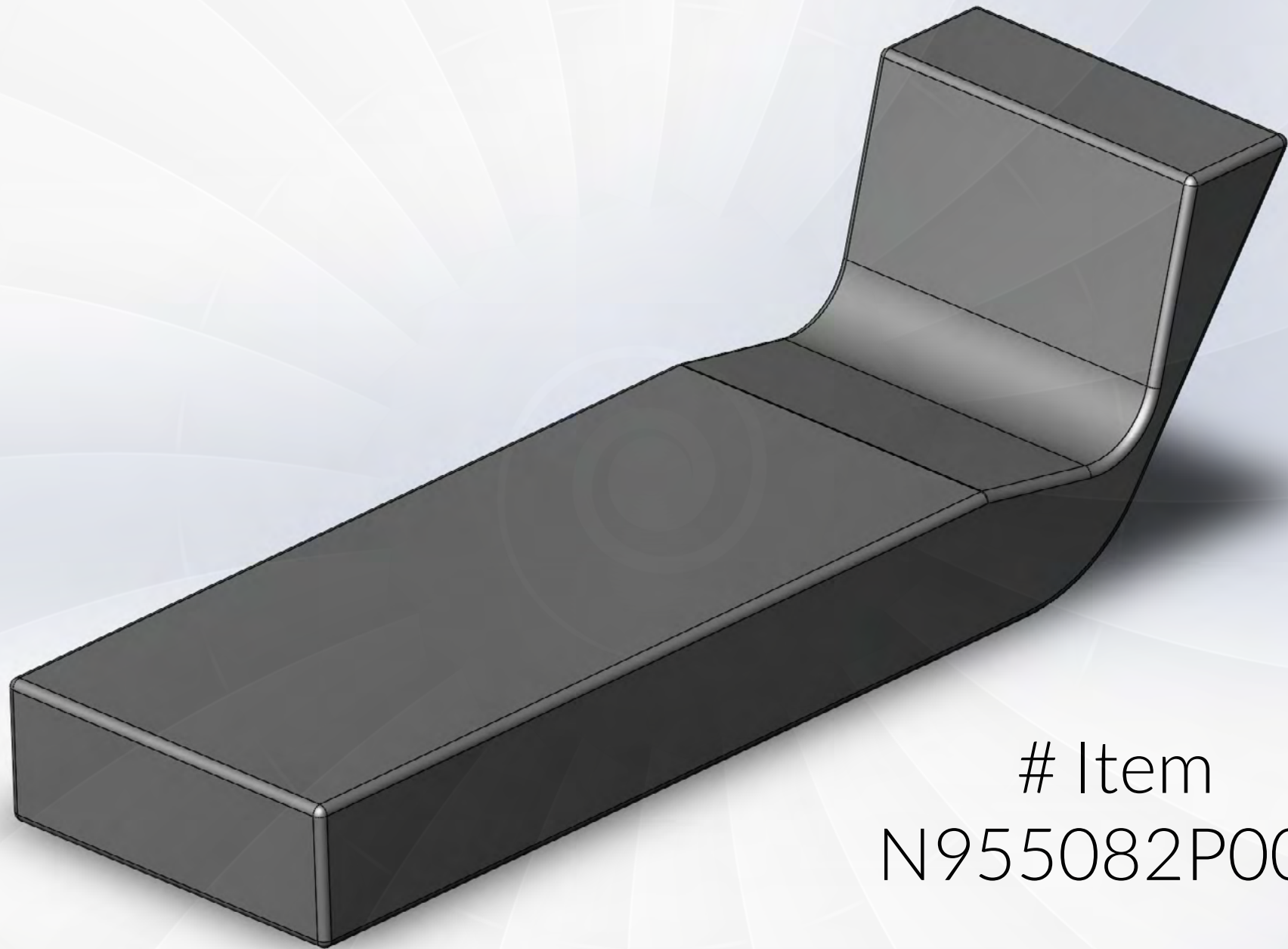
Item
N9550820081



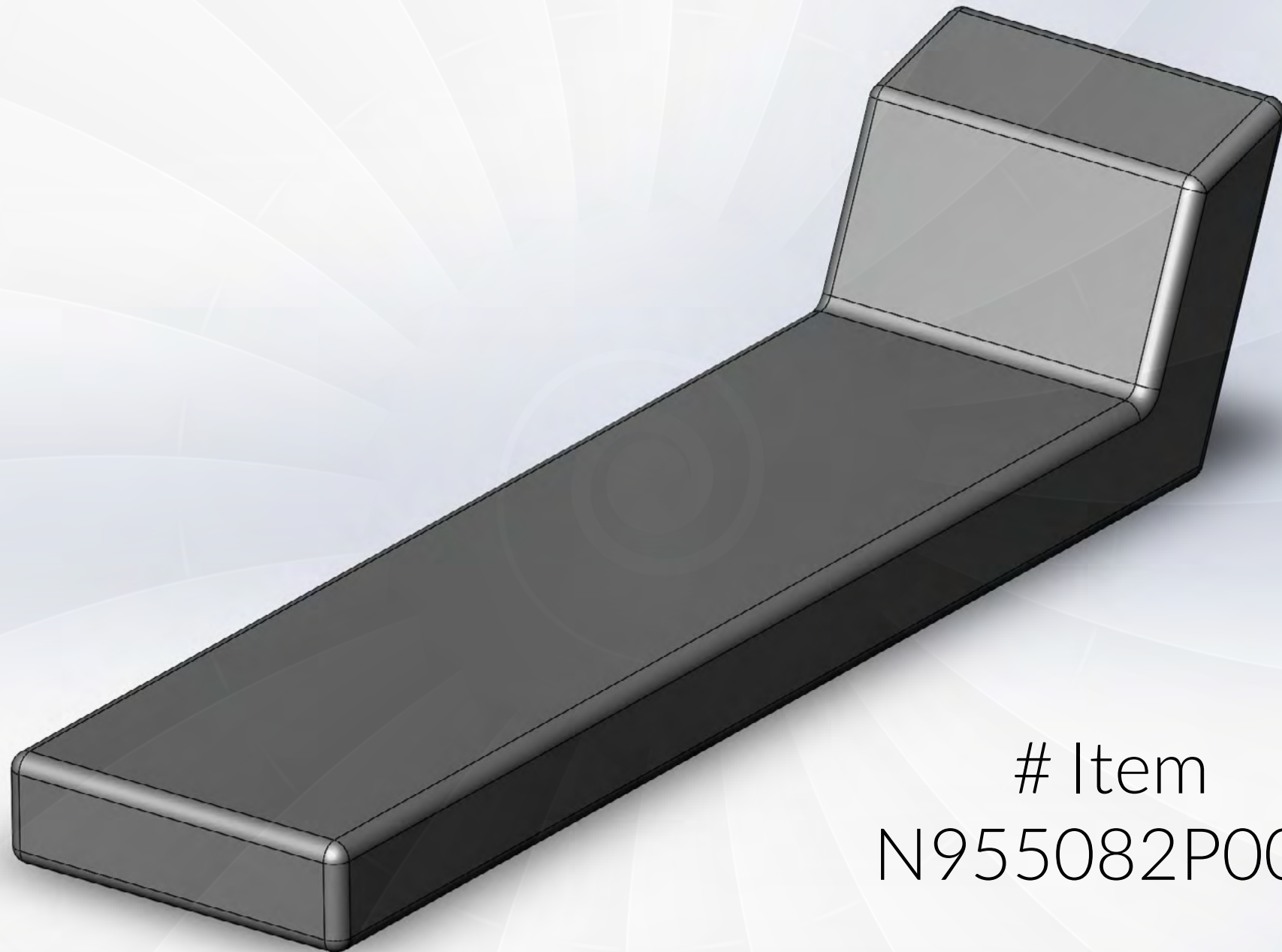
Item
N9550820086



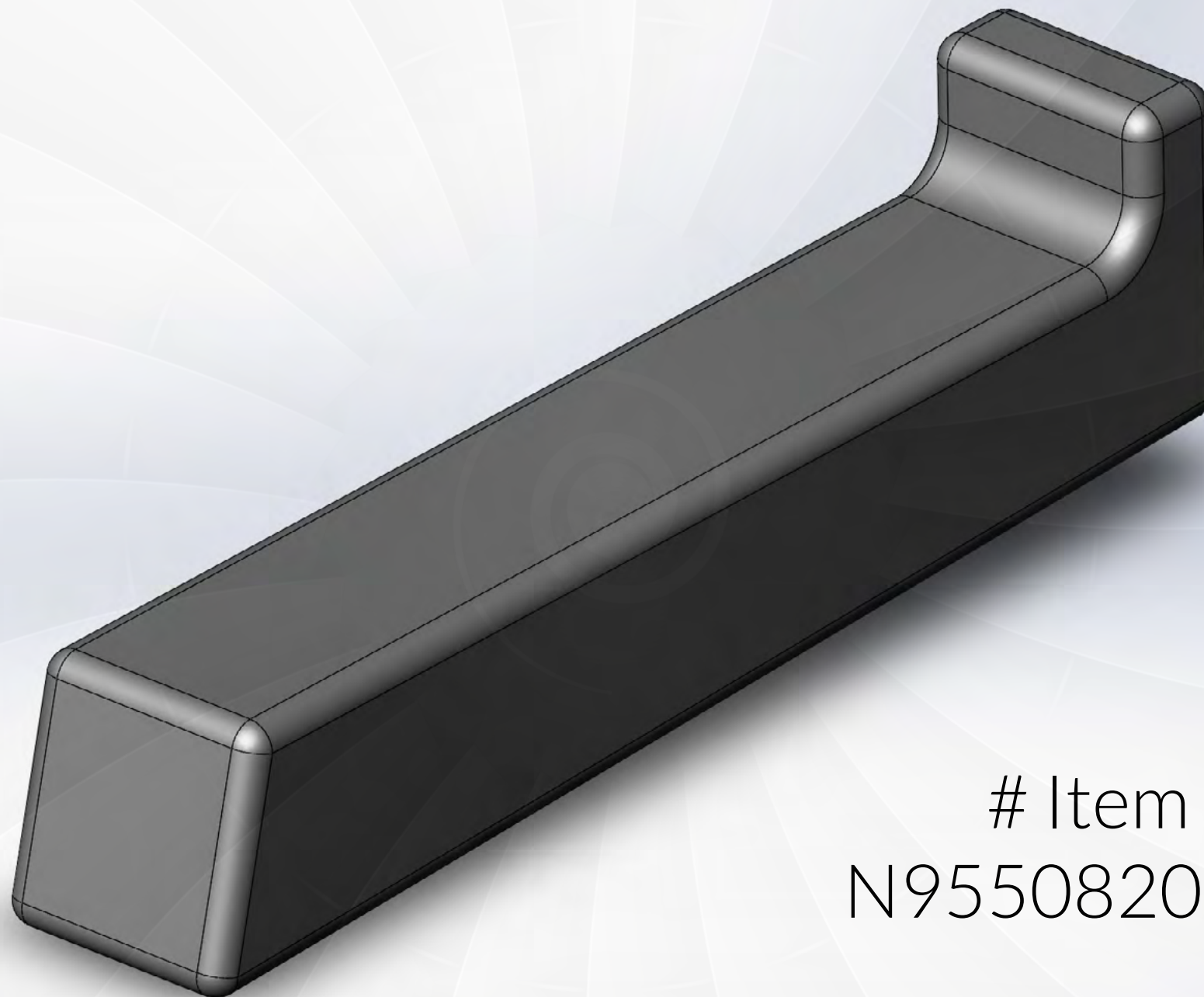
Item
N95508286LR



Item
N955082P004

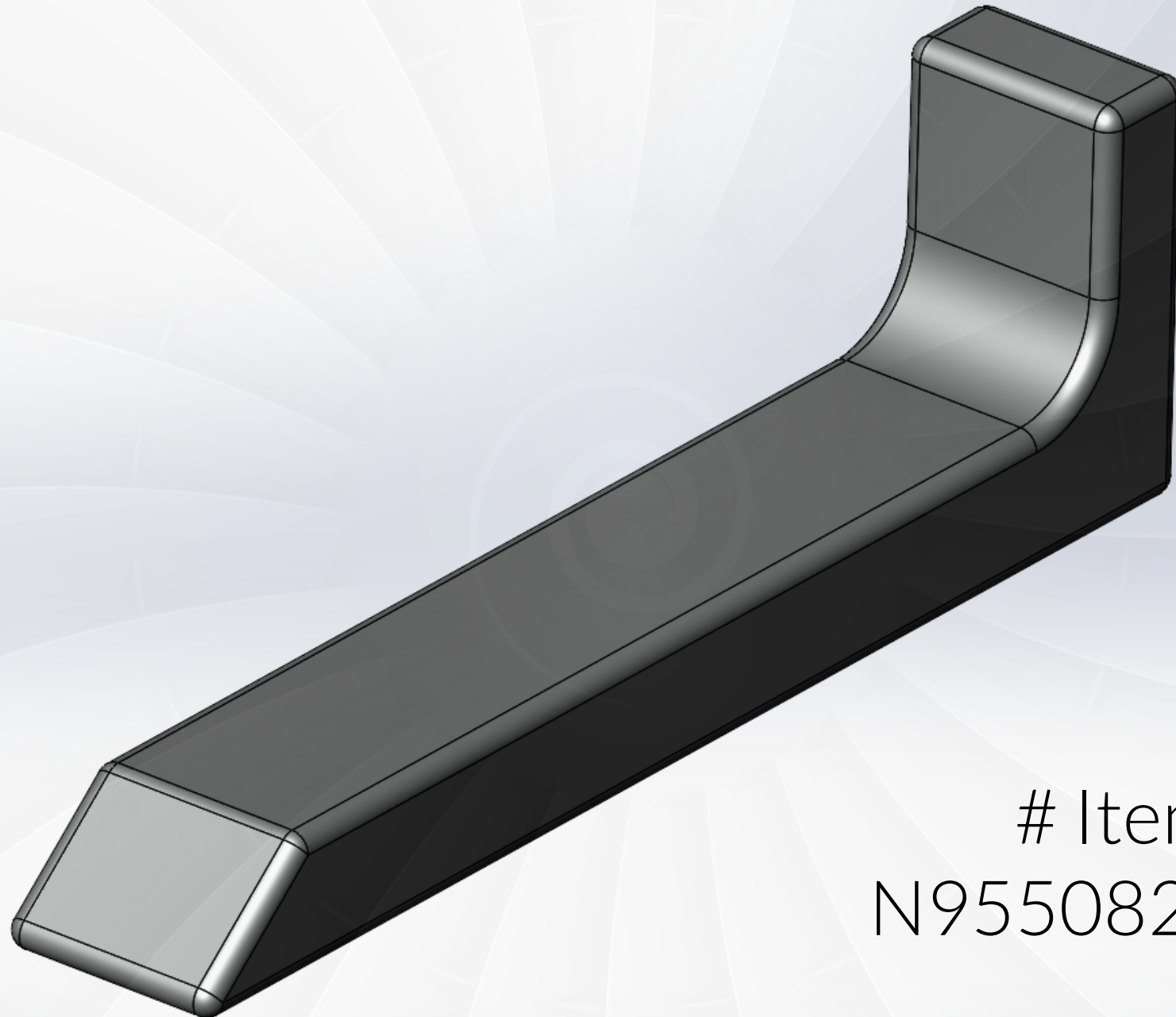


Item
N955082P003

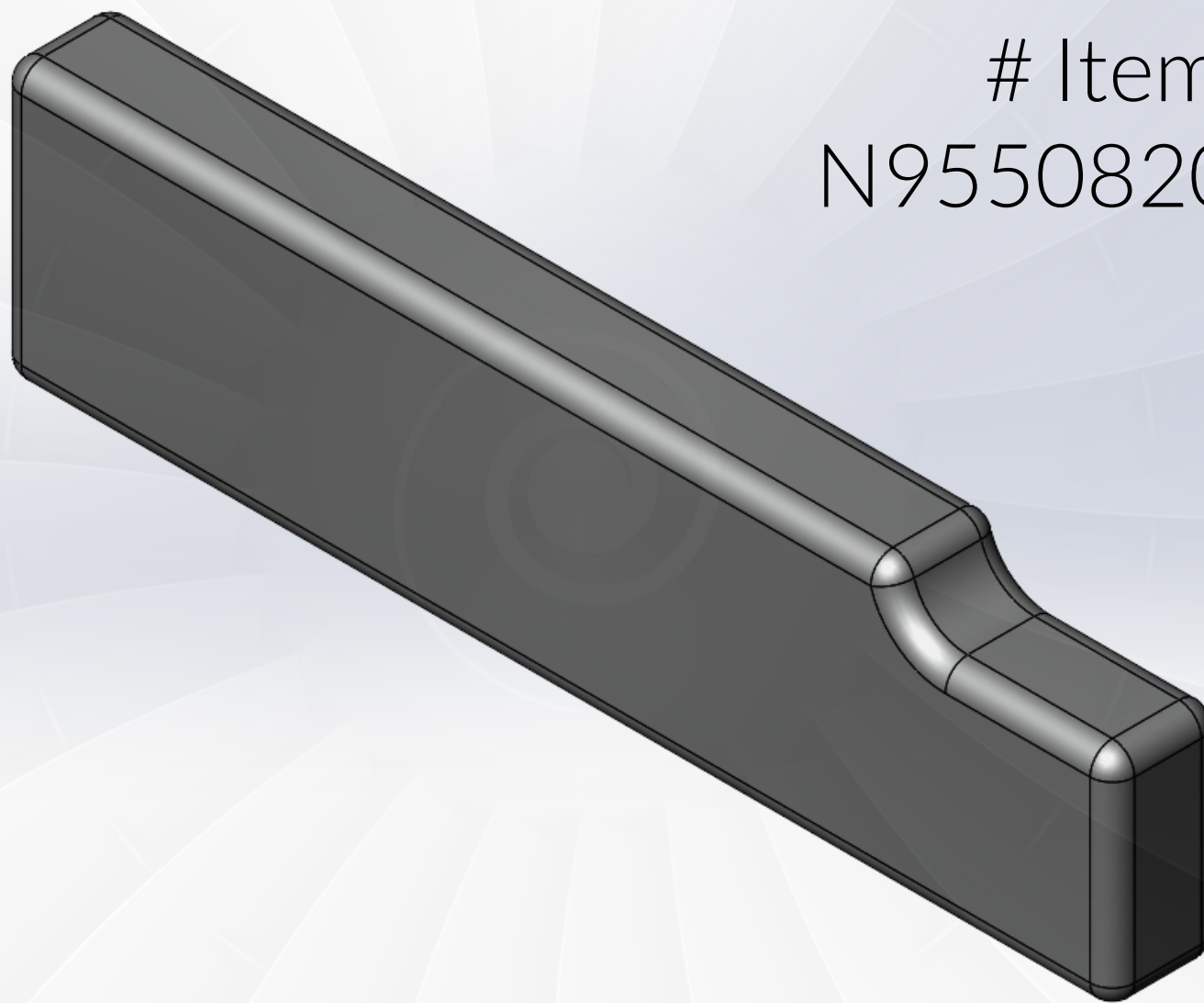


Item
N9550820068

Registered design ®



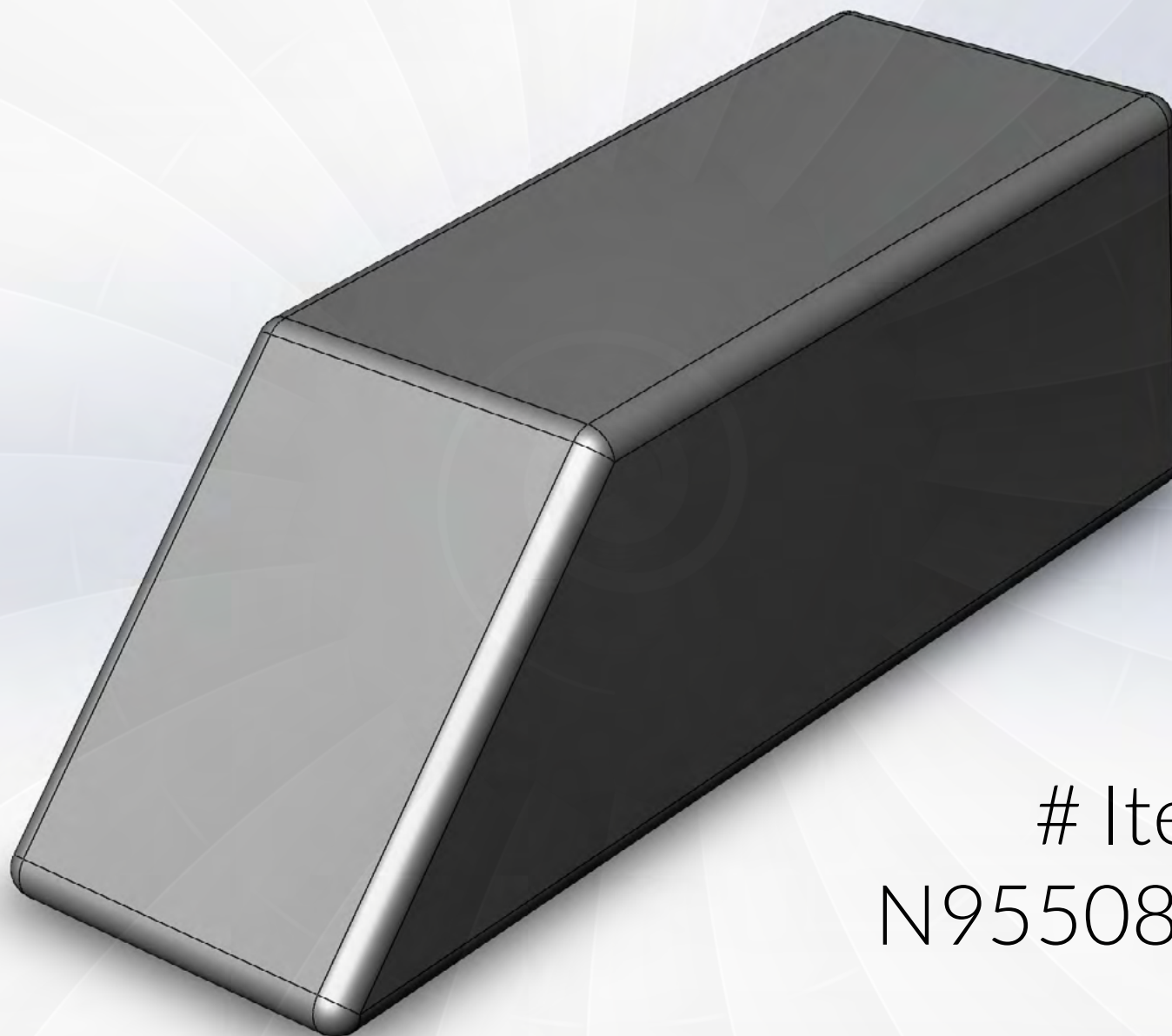
Item
N95508286LB



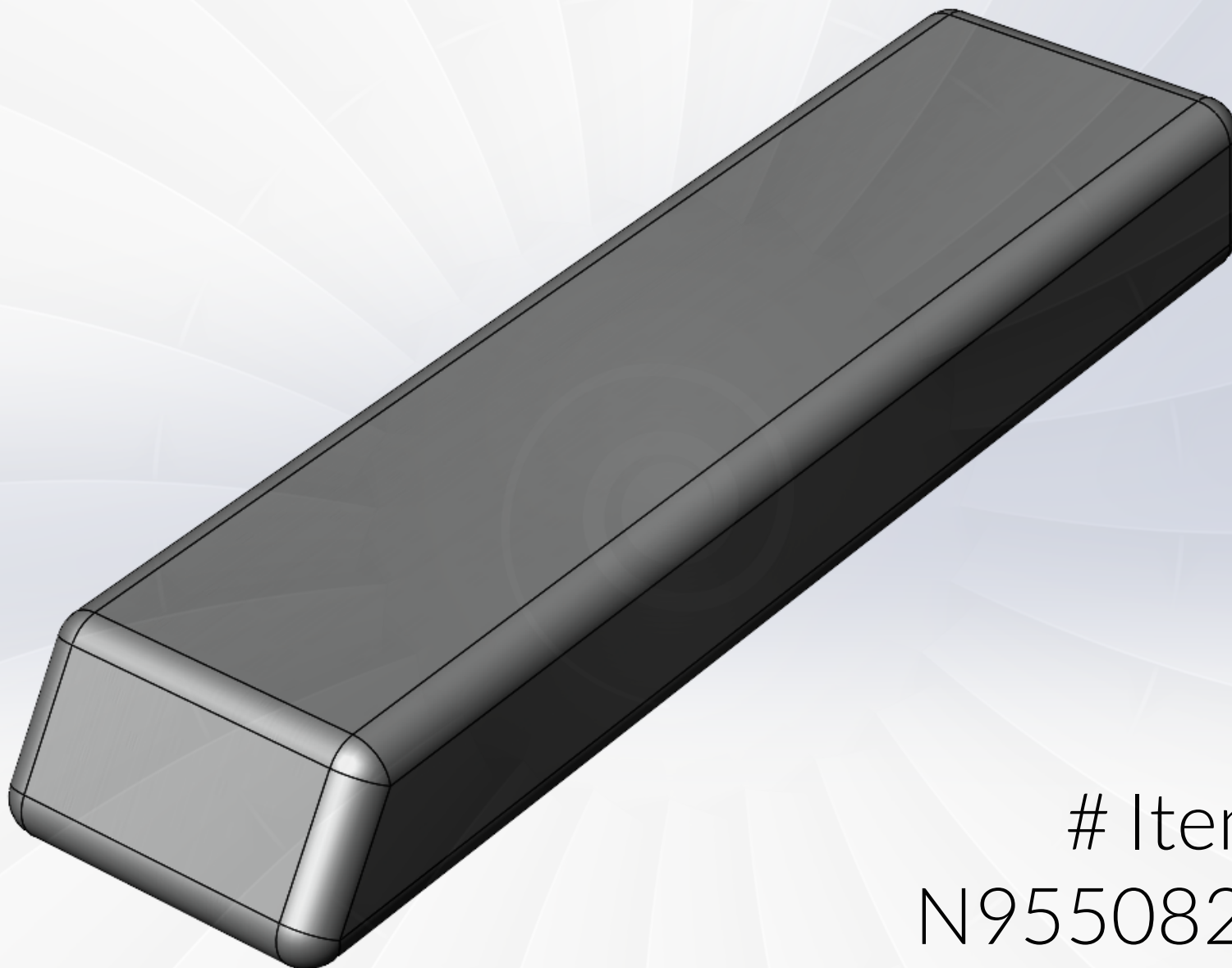
Item
N9550820060



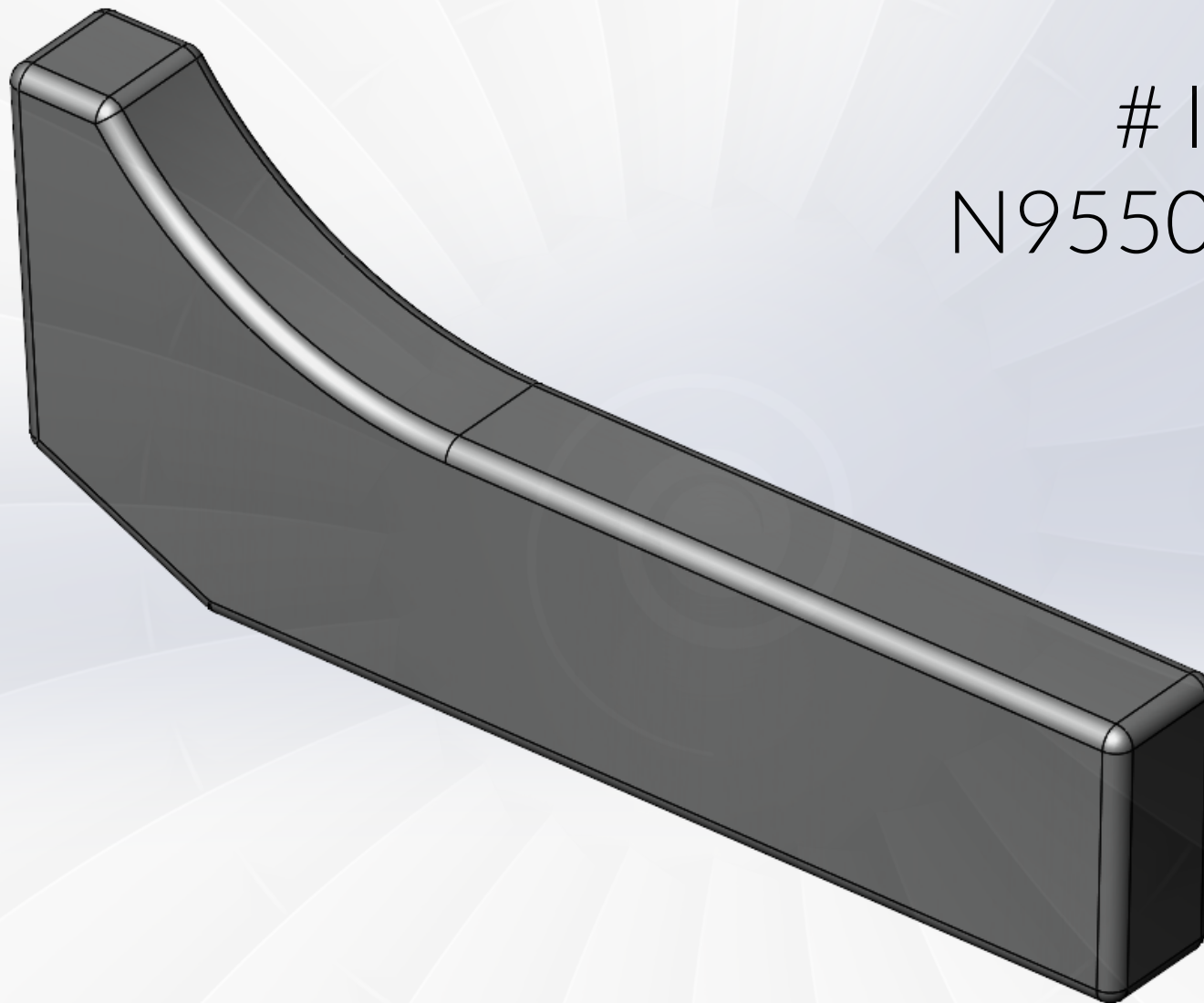
Item
N955082D160



Item
N9550820047

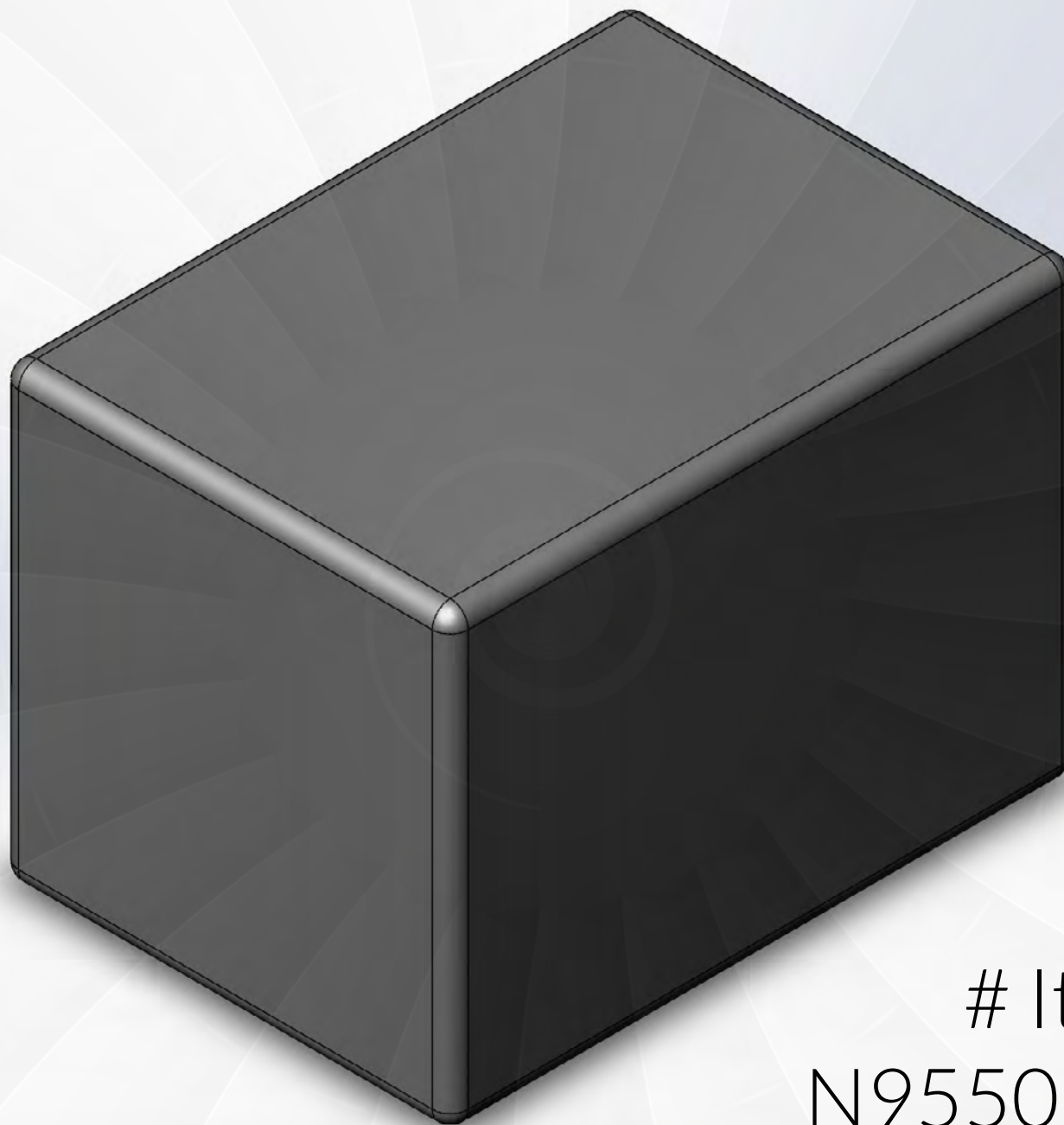


Item
N9550820046



Item
N9550820067

Registered design ® FR1011578



Item
N9550825070

WWW.BIJA-INDUSTRIE.COM



Item
N9550820051



Item
N9550800402



Item
N955082C350



Item N95508COFF1

N9550800201

N9550820021

N9550820026

N9550820046

N9550820047



Item N95508COFF2

N9550820051

N9550820060

N9550820067

N9550820069

N9550820086



Item N95508COFF3

N955082C350
N955082P001
N9550820081
N9550825070
N955082CC55



Item N95508COFF4

N9550800402

N955082L115

N955082P130

N955082P002

N955082P003



Item

N95508COFF5

N955082P004
N955082C150
N9550820068
N955082D160
N95508286LR



Item N95508COFF6

N9550800201
N9550820068
N9550820069
N9550820086
N9550820047
N95508286LR



Item N95508COFF7

N9550800201

N9550820069

N9550820086

N9550820021

N9550820026

N9550820051

BIJA Industrie®

Aerospace & Industry



WWW.BIJA-INDUSTRIE.COM

✉ contact@bija-industrie.com